

# Assembly Instructions


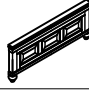
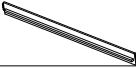


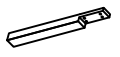


ITEM: B2264-110 SEVILLA 6/6-6/0 EK/WK HEADBOARD  
 B2264-120 SEVILLA 6/6-6/0 EK/WK FOOTBOARD & SLATS  
 B2264-230 SEVILLA 6-0 WK SIDE RAILS

Thank you for purchasing this quality product. Be sure to check all packing materials carefully for small parts, which may have come loose inside the carton during shipment. Identify and count all items and compare with the PARTS LIST and/or HARDWARE LIST shown below.

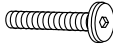



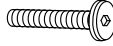





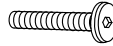
Caution: Please read the instructions thoroughly before assembly.

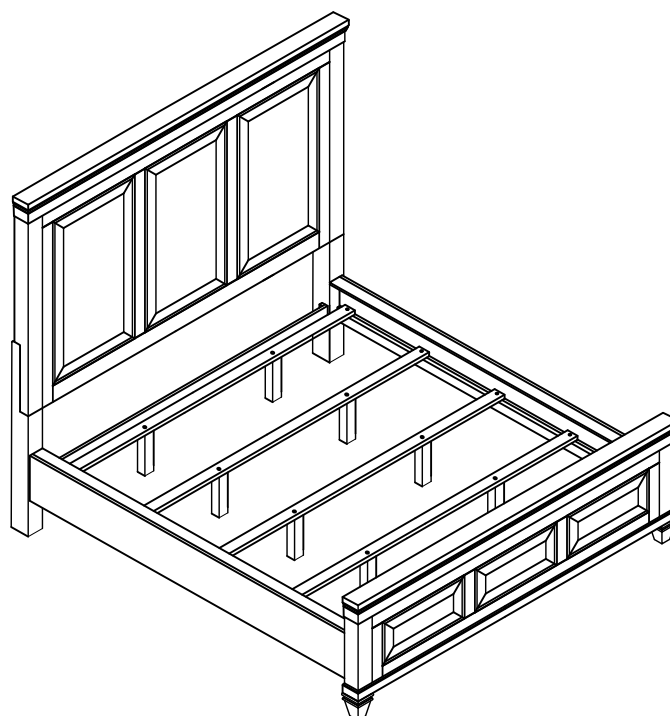
1. We recommend that you assemble this product with the assistance of another person; this will make the assembly easier, and will help eliminate damage to the product or injury to persons during assembly.
2. Please do not over tighten screws or bolts until the assembly is completed.
3. Please put all parts on a non-abrasive floor before assembly, and follow the assembly steps to assemble your newly purchased product correctly and efficiently.

## PARTS LIST

NO:	COMPONENT	SKETCH	Q'TY
A	QUEEN HEADBOARD		1PC
B	QUEEN FOOTBOARD		1PC
C	SIDE RAIL		2PCS
D	SLAT		4PCS
E	SUPPORT LEG		8PCS
F	HEADBOARD LEG		2PCS
G	HB BOTTOMRAIL		1PCS
H	COP RAIL		2PCS

## HARDWARE LISTS

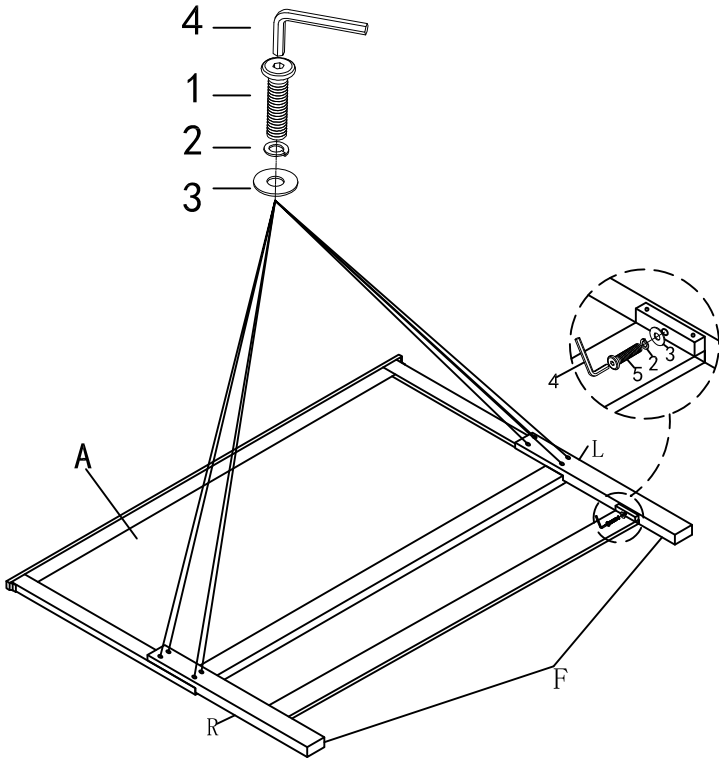
NO:	COMPONENT	SKETCH	Q'TY
1	BOLT5/16" x 45mm		8PCS
2	LOCK WASHER 5/16"		10PCS
3	FLAT WASHER 5/16"		10PCS
4	ALLEN KEY		2PCS
5	BOLT5/16" x 35mm		2PCS
6	ALLEN KEY		1PC
7	HEX NUT 5/16" Dia		8PC
8	U WASHER 5/16" DIA		8PC
9	THREAD BOLT 5/16" x 90mm		8PC
10	SCREW: # 8 X 25mm		8PCS
11	BOLT1/4" x 45mm		12PCS



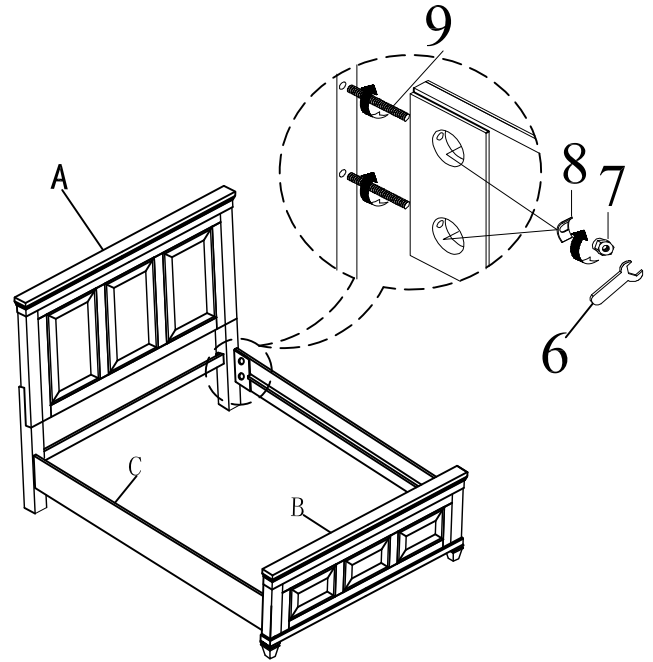
# Assembly Instructions

ITEM: B2264-110 SEVILLA 6/6-6/0 EK/WK HEADBOARD  
 B2264-120 SEVILLA 6/6-6/0 EK/WK FOOTBOARD & SLATS  
 B2264-230 SEVILLA 6-0 WK SIDE RAILS

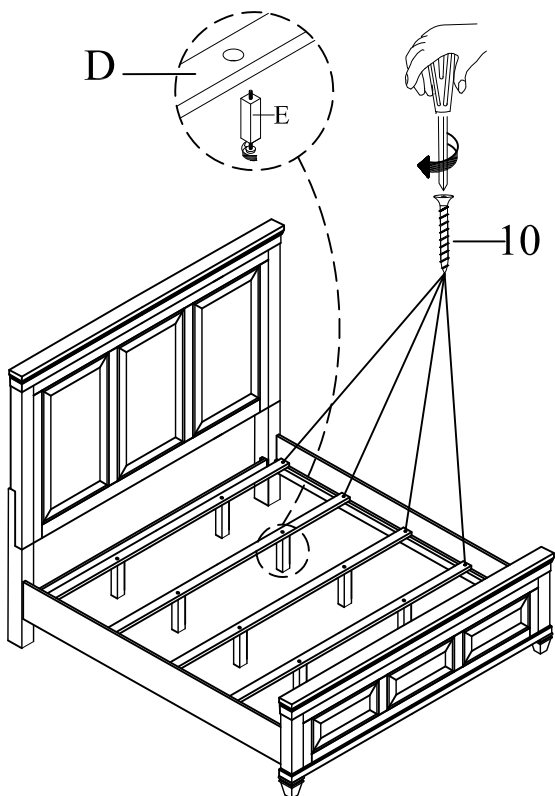
STEP1



STEP2



STEP3



STEP4

