

Assembly Instructions

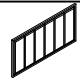
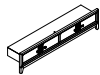




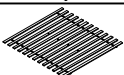


ITEM: B6001-110 LANDON 6/6-6/0 EK/WK HEADBOARD
 B6001-128 LANDON 6/6-6/0 EK/WK FOOTBOARD & SLATS
 B6001-330 LANDON 5/0-6/6 Q/EK SIDE RAILS

Thank you for purchasing this quality product. Be sure to check all packing materials carefully for small parts, which may have come loose inside the carton during shipment. Identify and count all items and compare with the PARTS LIST and/or HARDWARE LIST shown below.








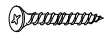
Caution: Please read the instructions thoroughly before assembly.

1. We recommend that you assemble this product with the assistance of another person; this will make assembly easier, and will help to eliminate damage to the product or injury to persons during assembly.
2. Please do not over tighten screws or bolts until the assembly is completed.
3. Please put all parts on a non-abrasive floor before assembly, and follow the assembly steps to assemble your newly purchased product correctly and efficiently.

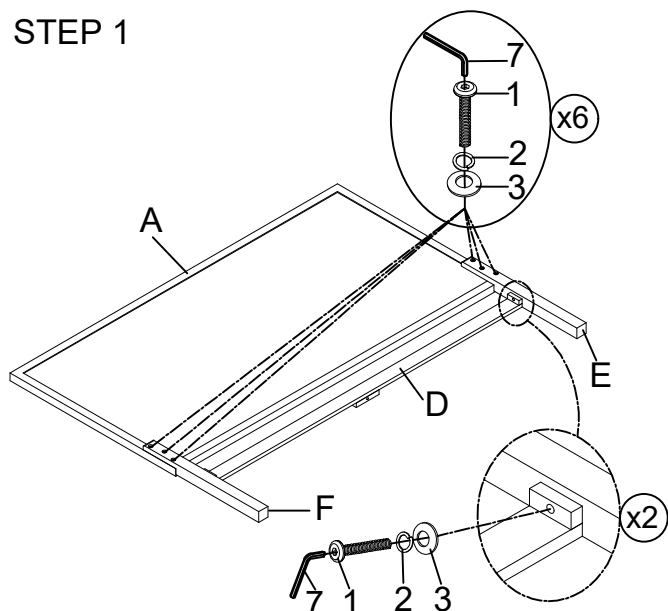
PARTS LIST

NO.	COMPONENT	DRAWING	Q'TY
A	Headboard		1 PC
B	Footboard		1 PC
C	Side rail		2 PCS
D	Headboard Crossbar		1 PC
E	Left Leg		1 PC
F	Right Leg		1 PC
G	Roll-Out Slat		1 SET
H	Rail Support		1 PC
I	Support Leg		4 PCS

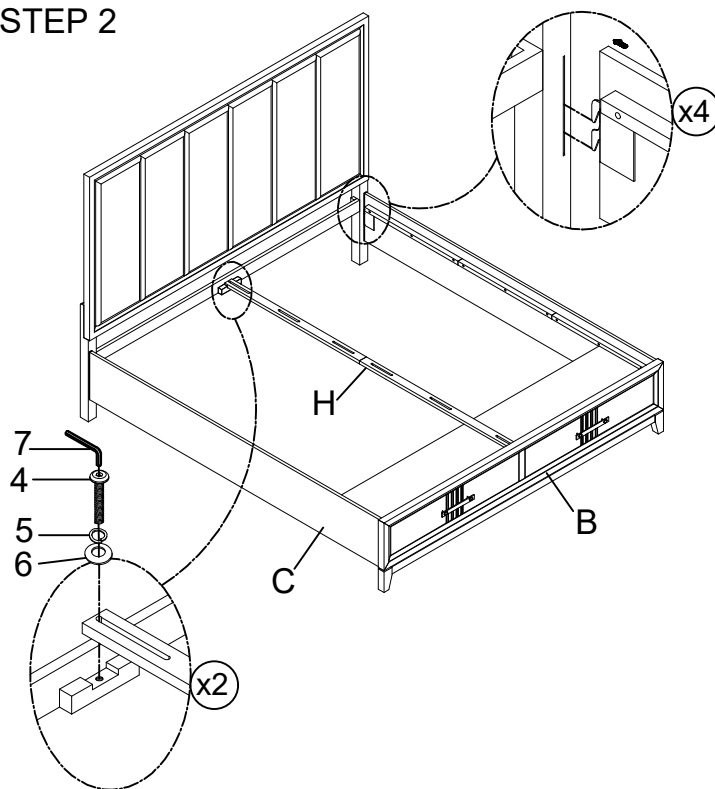
HARDWARE LIST

NO.	COMPONENT	DRAWING	Q'TY
1	Bolt Ø5/16"x1-3/4"		8 PCS
2	Lock Washer Ø5/16"		8 PCS
3	Flat Washer Ø5/16"x3/4"		8 PCS
4	Bolt Ø1/4"x2"		6 PCS
5	Lock Washer Ø1/4"		6 PCS
6	Flat Washer Ø1/4"x3/4"		6 PCS
7	Allen Key 1/8"		1 PC
8	Screw #4*1-1/4"		26 PCS

STEP 1



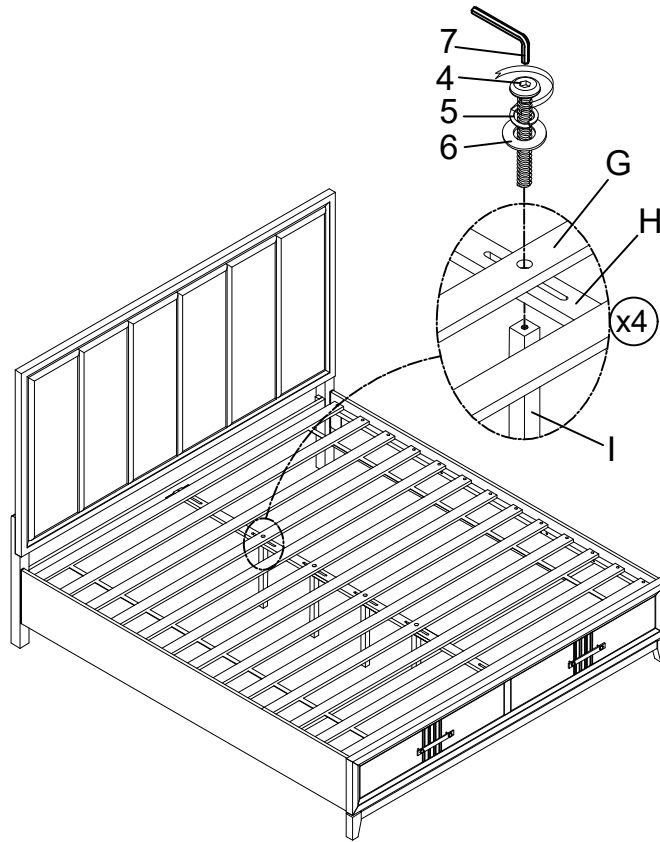
STEP 2



Assembly Instructions

ITEM: B6001-110 LANDON 6/6-6/0 EK/WK HEADBOARD
B6001-128 LANDON 6/6-6/0 EK/WK FOOTBOARD & SLATS
B6001-330 LANDON 5/0-6/6 Q/EK SIDE RAILS

STEP 3



STEP 4

