








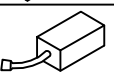


ASSEMBLY INSTRUCTIONS

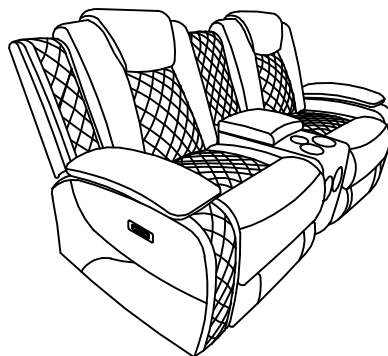
ORION COLLECTION



ITEM: U1769-25P2
 DESCRIPTION : ORION CONSOLE LOVESEAT W/PWR
 FR & HR

Thank you for purchasing this quality product. Be sure to check all packing materials carefully for small parts, which may have come loose during shipment. Identify and count all items and compare with the parts list shown below. It is recommended to have two people during assembling and to remove the back and base of the furniture out from the box. Please follow the drawings below to assemble the item

Parts List			
NO.	DESCRIPTION	SKETCH	Q'TY
A	Seat		1 PC
B	Left Backrest		1 PC
C	Right Backrest		1 PC
D	Console Backrest		1 PC
E	Left ear		1 PC
F	Right ear		1 PC
G	Knob Screws		2 PCS
H	Plug		1 PC
I	Transformer		1 PC
K	Plug		1 PC



All images shown are for illustration purpose only.
 Actual product may vary due to product enhancement.



ASSEMBLY INSTRUCTIONS

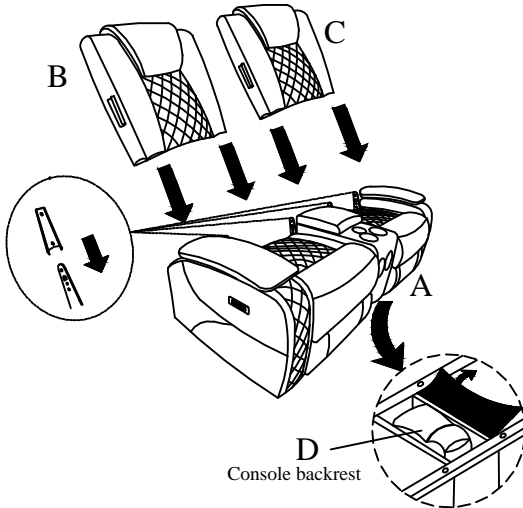
ORION COLLECTION

ITEM: U1769-25P2

DESCRIPTION : ORION CONSOLE LOVESEAT W/PWR
FR & HR

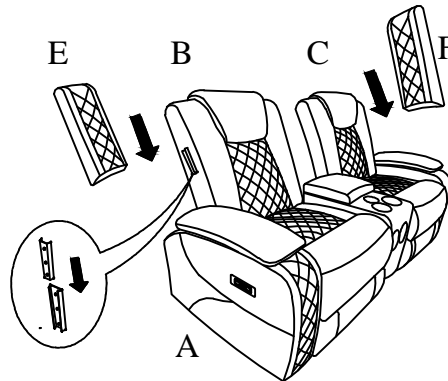
Step 1:

Take the Console Backrest (D) out of the Console Base part of the Seat (A).
Attach Backrest (B/C) to the Seat (A).



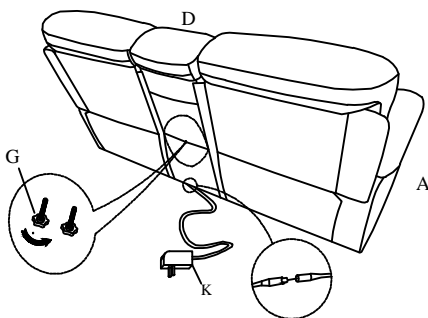
Step 2:

Attach the Left ear (E) and Right ear (F) to Left Backrest (B) and Right Backrest (C)



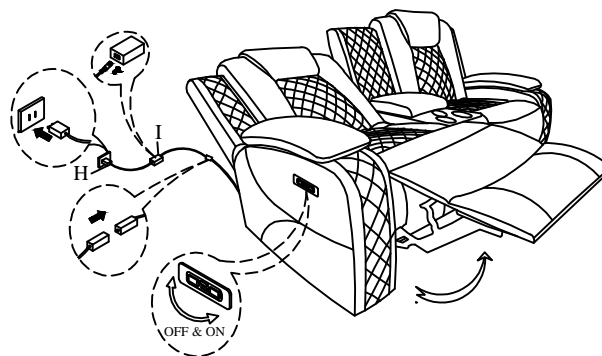
Step 3:

Place the console Backrest (D) in the right location and then attach to the Seat (A) by turning the Knob Screws (G) counterclockwise.
Connect the power source to the lamp and the bluetooth speaker.



Step 4:

Connect the power supply and Open the footrest or move the headrest or turn on the light by pressing the button.



All images shown are for illustration purpose only.
Actual product may vary due to product enhancement.