





ASSEMBLY INSTRUCTIONS



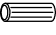


Model : T373-3P Vesta Coffee Table & End Table (1+2)

Thank you for purchasing this quality product. Be sure to check all packing materials carefully for small parts , which may have come loose inside the carton during shipment. Identify and count all items and compare with the PARTS LIST and/or HARDWARE LIST show below.

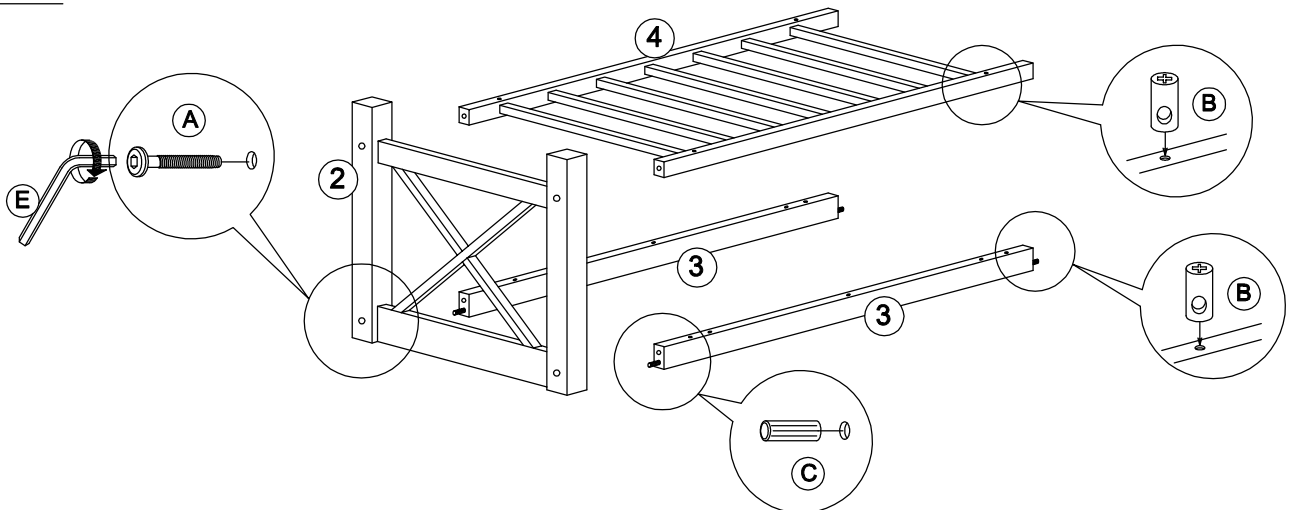
CAUTIONS :

1. We recommend that you assemble this product with the assistance of another person : this well make the assembly easier, and will help eliminate damage to the product or injury to the persons during assembly.
2. Do not over tightened the screws and bolts as it may damage the threads.
3. Keep all hardware parts out of the reach fo children.
4. Please "LIFT UP & MOVE" the table when ever you want to shift it.

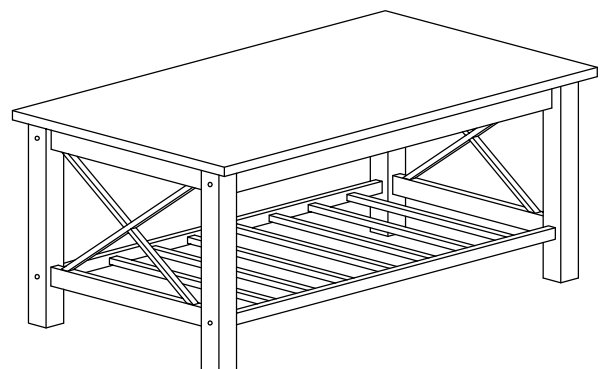
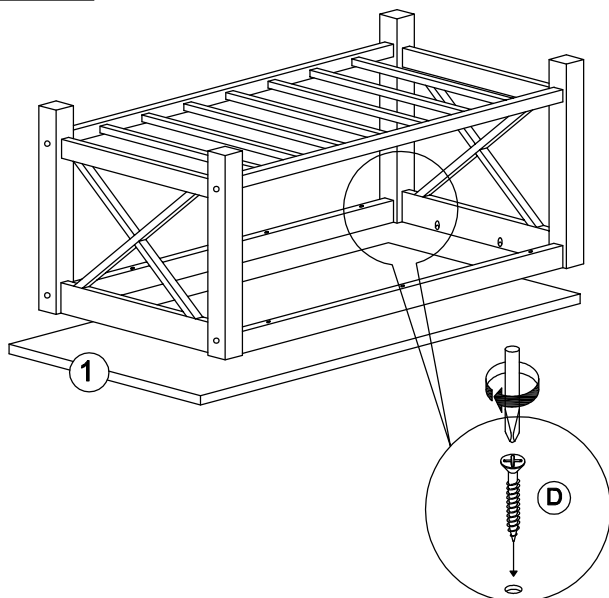
PARTS LIST		
NO.	COMPONENT	QTY.
1	COFFEE TABLE TOP 	1 PC
2	COFFEE TABLE LEG SIDE ASSEMBLY 	2 PCS
3	UPPER RAIL 	2 PCS
4	BOTTOM PANEL 	1 PC

HARDWARE LIST		
NO.	COMPONENT	QTY.
A	JCBC BOLT M6 x 90MM 	8 PCS
B	BARREL NUT 	8 PCS
C	WOOD DOWEL M10 x 40MM 	4 PCS
D	CB SCREW M4 x 30MM 	10 PCS
E	ALLEN KEY 	1 PC

STEP 1



STEP 2



COMPLETED ASSEMBLY





ASSEMBLY INSTRUCTIONS


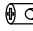



Model : T373-3P Vesta Coffee Table & End Table (1+2)

Thank you for purchasing this quality product. Be sure to check all packing materials carefully for small parts , which may have come loose inside the carton during shipment. Identify and count all items and compare with the PARTS LIST and/or HARDWARE LIST show below.

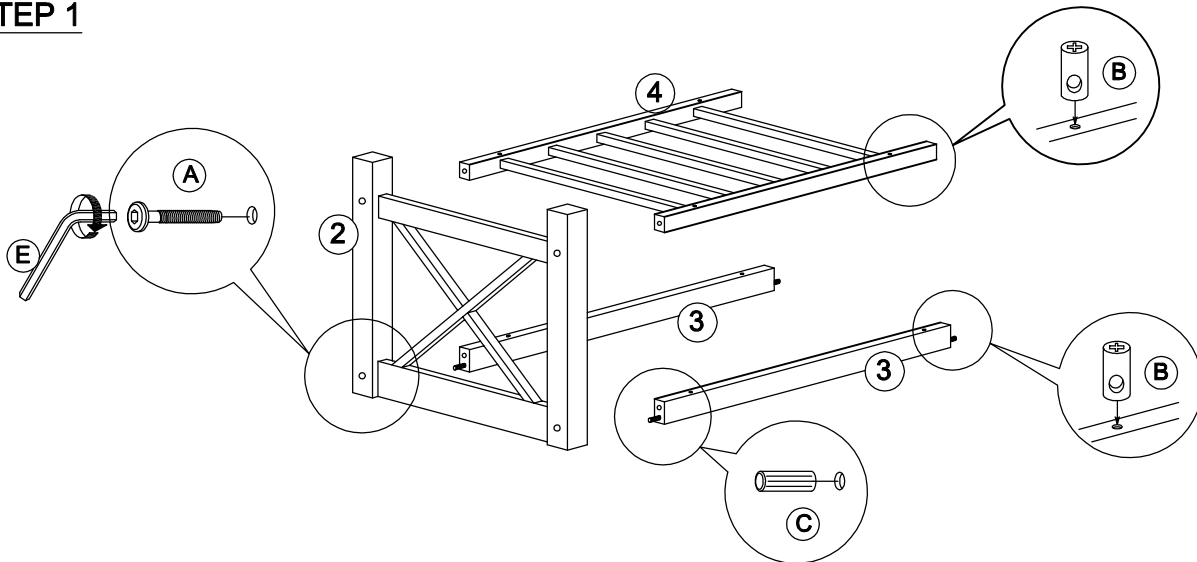
CAUTIONS :

1. We recommend that you assemble this product with the assistance of another person : this well make the assembly easier, and will help eliminate damage to the product or injury to the persons during assembly.
2. Do not over tightened the screws and bolts as it may damage the threads.
3. Keep all hardware parts out of the reach fo children.
4. Please "LIFT UP & MOVE" the table when ever you want to shift it.

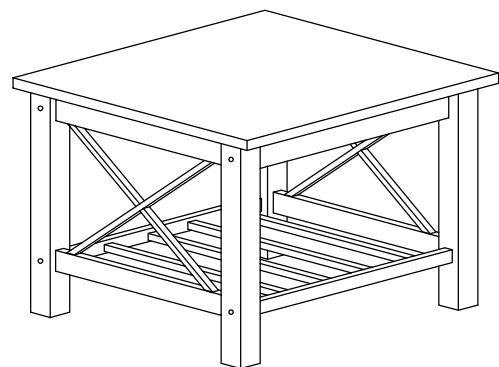
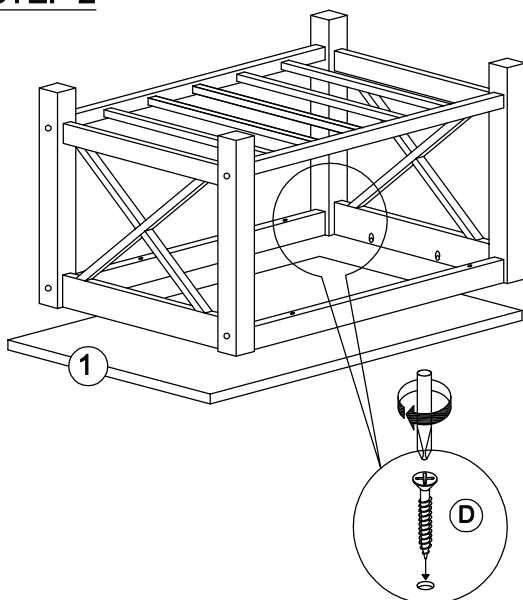
PARTS LIST			
NO.	COMPONENT		QTY.
1	END TABLE TOP		2 PCS
2	END TABLE LEG SIDE ASSEMBLY		4 PCS
3	UPPER RAIL		4 PCS
4	BOTTOM PANEL		2 PCS

HARDWARE LIST			
NO.	COMPONENT		QTY.
A	JCBC BOLT M6 x 90MM		16 PCS
B	BARREL NUT		16 PCS
C	WOOD DOWEL M10 x 40MM		8 PCS
D	CB SCREW M4 x 30MM		16 PCS
E	ALLEN KEY		1 PC

STEP 1



STEP 2



COMPLETED ASSEMBLY