



ASSEMBLY INSTRUCTIONS

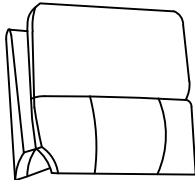

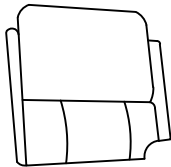
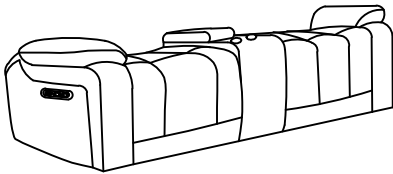

CICERO COLLECTION

ITEM:L4231-25P2

DESCRIPTION:CICERO CONSOLE LOVESEAT W/ PWR
FR & HR

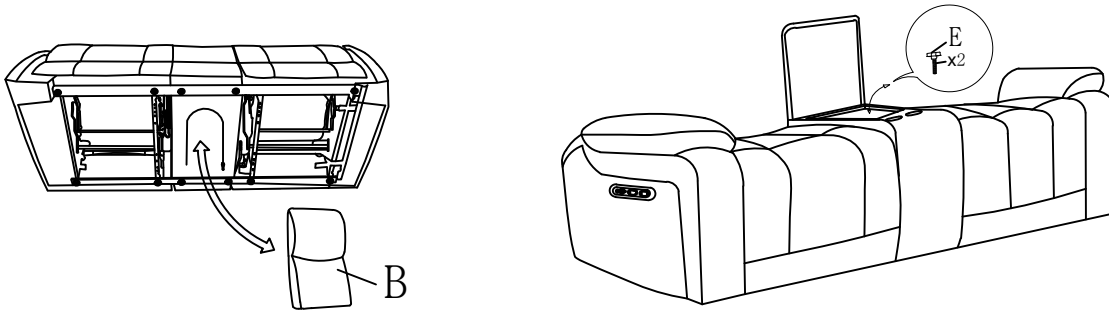
Thank you for purchasing this quality product. Be sure to check all packing materials carefully for small parts, which may have come loose during shipment. Identify and count all items and compare with the parts list and/or hardware list shown below. It is recommended to have two people during assembling and to remove the backs and base of the furniture out from the box.

Please follow the drawings below to assemble the item

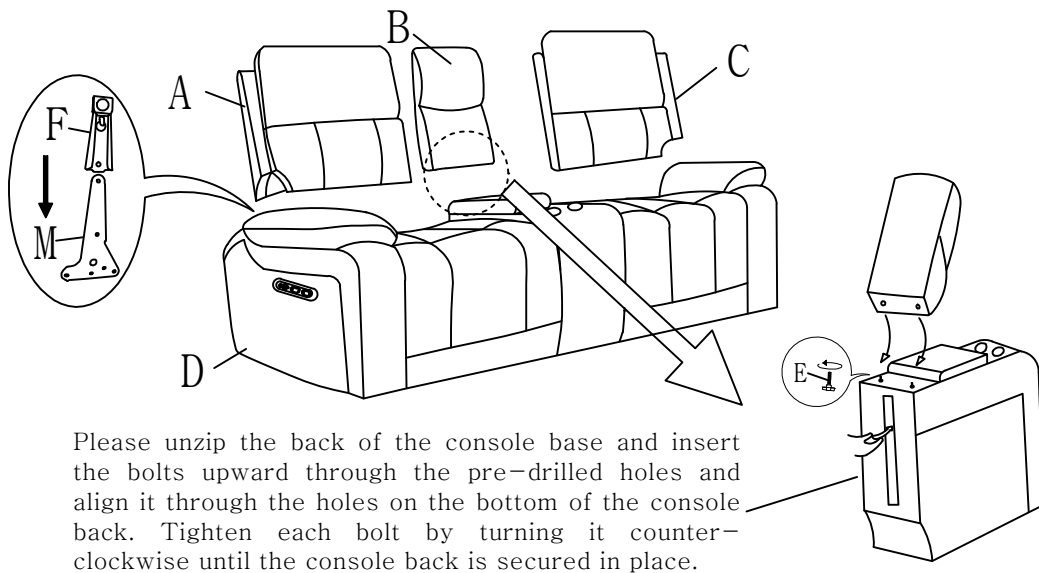
Parts List			
NO.	DESCRIPTION	Q'TY	SKETCH
A	Left Backrest	1	
B	Console Backrest	1	
C	Right Backrest	1	
D	Seat	1	
E	Bolt	2	

All images shown are for illustration purpose only.
Actual product may vary due to product enhancement.

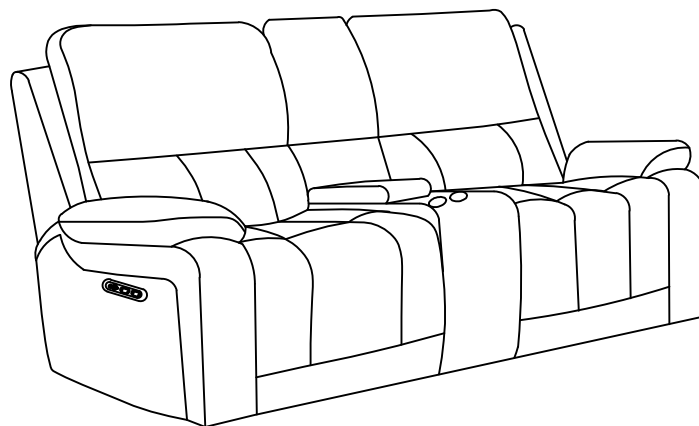
Step 1: There is a zipper at the bottom of the console, please open the zipper to find the console back and take it out for assembly. Then open the console storage to find the hardware to assemble the console back.



Step 2: Please align and insert the metal bracket (F) on the backrest onto the metal bracket (M) of the seat. Please make sure the metal brackets (F) and (M) are inserted all the way and secured into position.

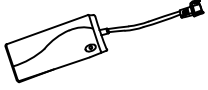



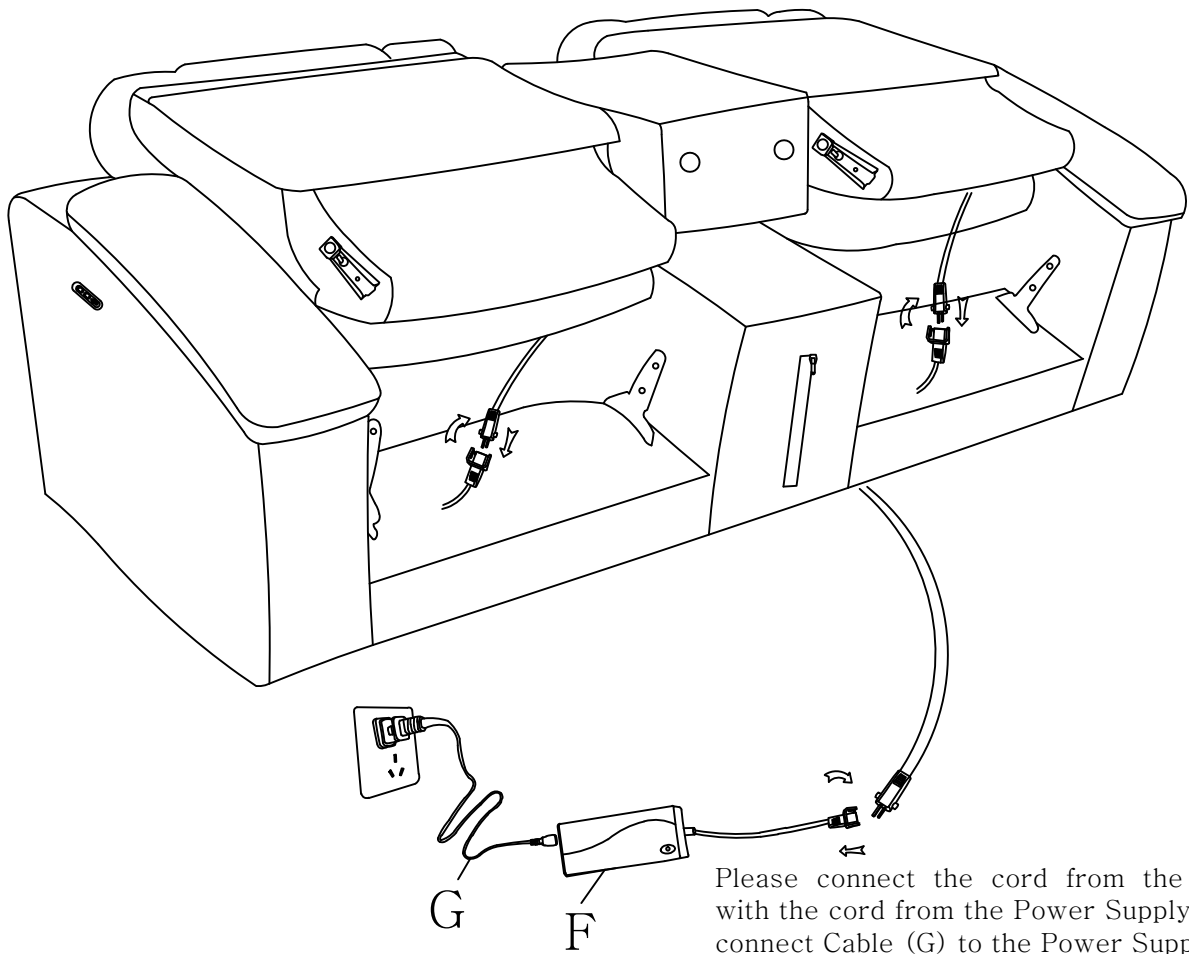
Please unzip the back of the console base and insert the bolts upward through the pre-drilled holes and align it through the holes on the bottom of the console back. Tighten each bolt by turning it counter-clockwise until the console back is secured in place.



All images shown are for illustration purpose only. Actual product may vary due to product enhancement.

Power Assembly Instruction

Item	Picture	Description	Quantity
F		Power Supply	1 PC
G		Cable	1 PC



All images shown are for illustration purpose only.
Actual product may vary due to product enhancement.