



ASSEMBLY INSTRUCTIONS

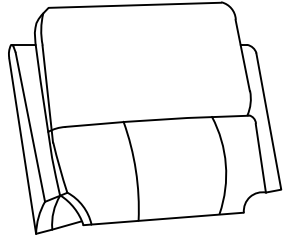
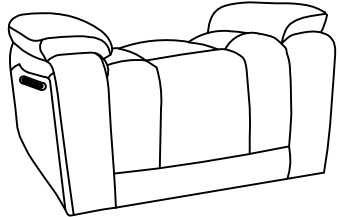
CICERO COLLECTION

ITEM:L4231-13P2

DESCRIPTION:CICERO GLIDER RECLINER W/ PWR FR & HR

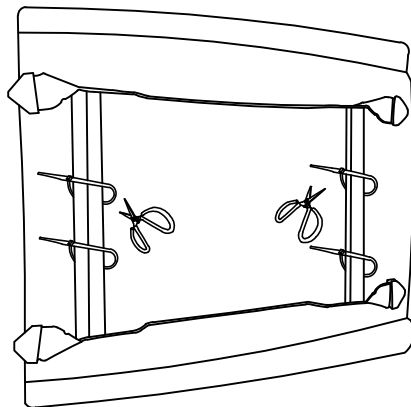
Thank you for purchasing this quality product. Be sure to check all packing materials carefully for small parts, which may have come loose during shipment. Identify and count all items and compare with the parts list and/or hardware list shown below. It is recommended to have two people during assembling and to remove the backs and base of the furniture out from the box.

Please follow the drawings below to assemble the item

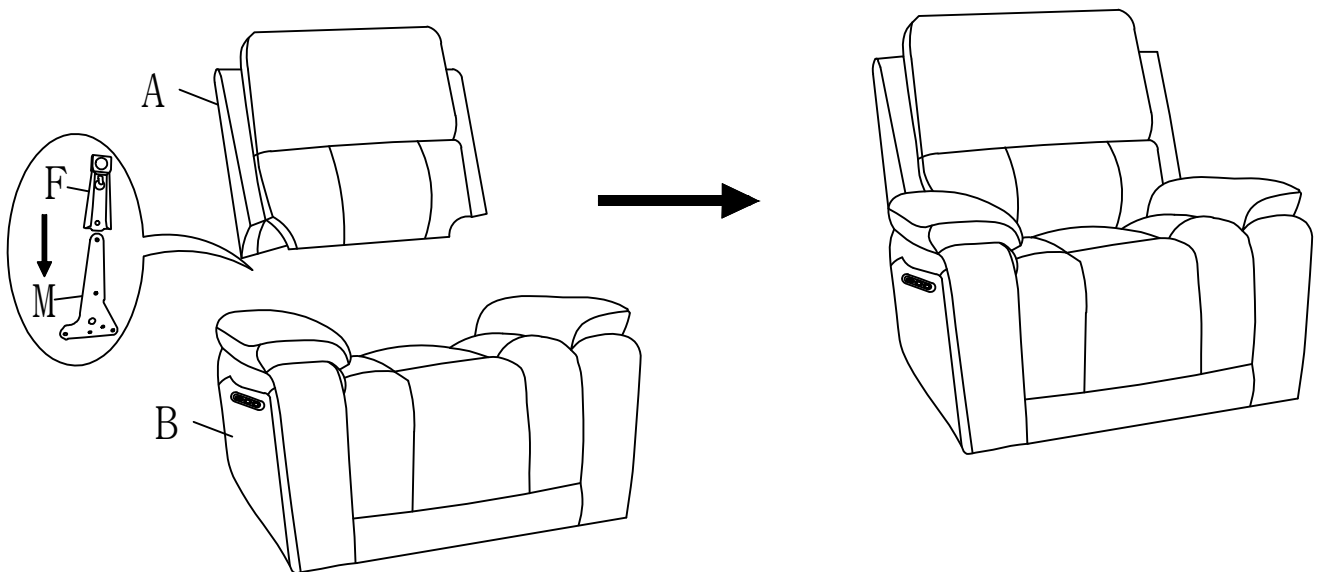
Parts List			
NO.	DESCRIPTION	Q'TY	SKETCH
A	Backrest	1	
B	Seat	1	

All images shown are for illustration purpose only. Actual product may vary due to product enhancement.

Step 1: Cut the white zip ties with scissors.





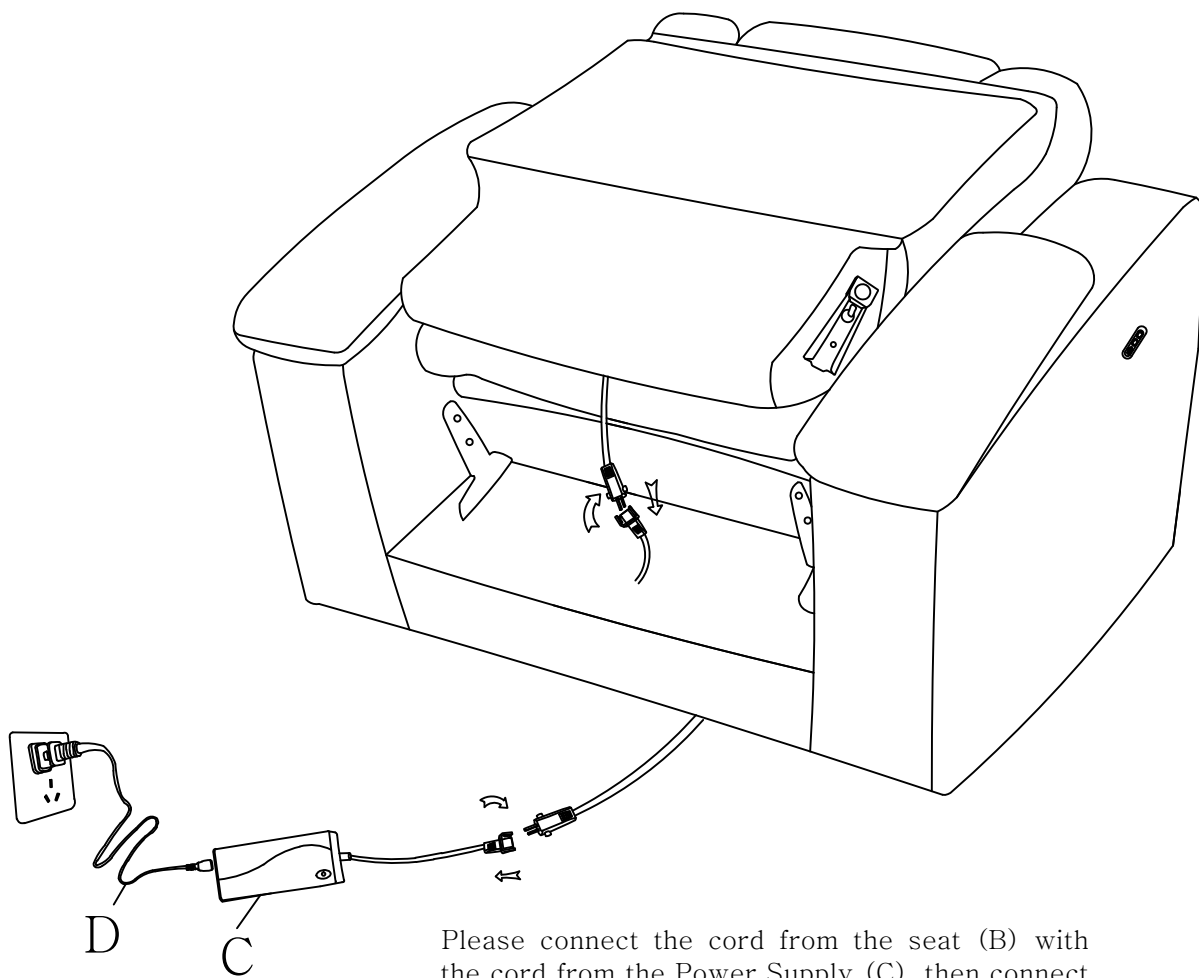
Step 2: Please align and insert the metal bracket (F) on the backrest onto the metal bracket (M) of the seat. Please make sure the metal brackets (F) and (M) are inserted all the way and secured into position.



All images shown are for illustration purpose only.
Actual product may vary due to product enhancement.

Power Assembly Instruction

Item	Picture	Description	Quantity
C		Power Supply	1 PC
D		Cable	1 PC



Please connect the cord from the seat (B) with the cord from the Power Supply (C), then connect Cable (D) to the Power Supply (C).

All images shown are for illustration purpose only.
Actual product may vary due to product enhancement.