




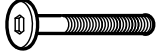
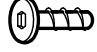






Thank you for purchasing this quality product. Be sure to check all packing materials carefully for small parts, which may have come loose inside the carton during shipment. Identify and count all items and compare with the parts list and/or hardware list shown below.

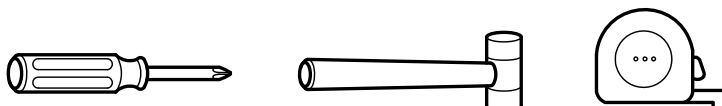
CAUTION

1. Do not fully tighten the nuts or bolts until the table is fully assembled.
2. Please tighten by hand, not by a drill. Overtightening will damage threads. Do not overtighten.
3. Keep all hardware out of the reach of children.

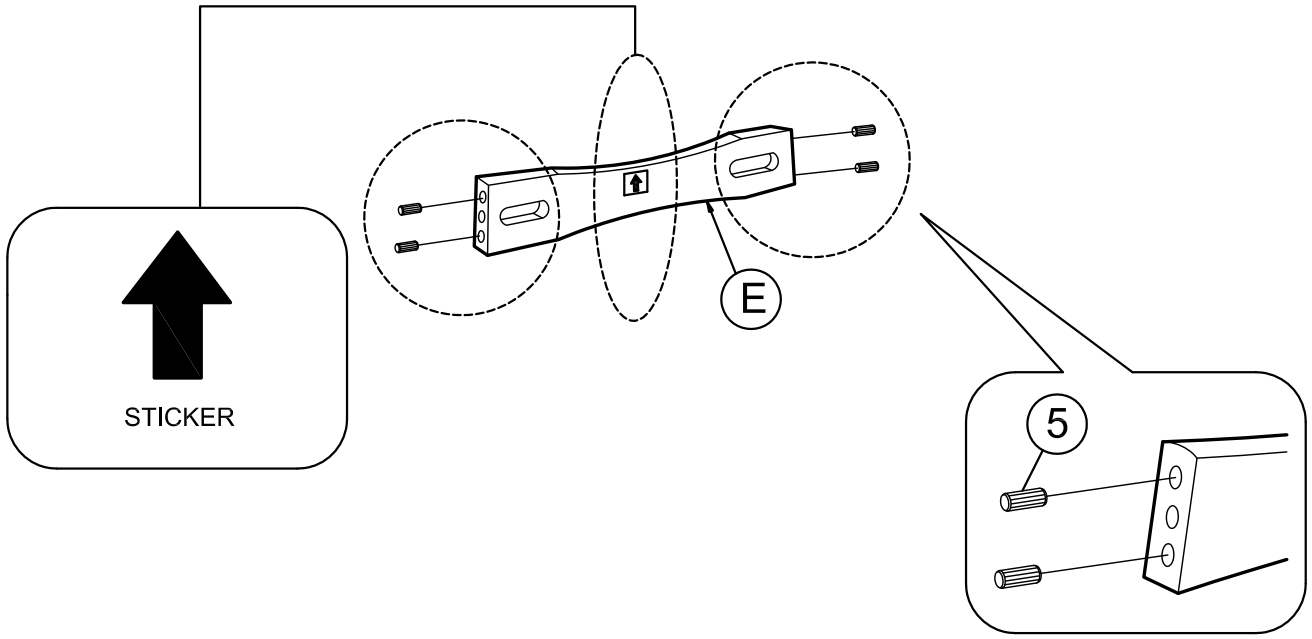
PARTS LIST		
NO	DESCRIPTION	QTY
A	CHAIR HEAD 	2 PCS
B	CHAIR SEAT 	2 PCS
C	SIDE LEG (LEFT) 	2 PCS
D	SIDE LEG (RIGHT) 	2 PCS
E	APRON 	4 PCS

HARDWARE LIST		
NO	DESCRIPTION	QTY
1	JCBC M6 x 50MM 	8 PCS
2	JCBC WOOD SCREW M7 x 25MM (BLACK) 	8 PCS
3	SPRING WASHER 5/16" 	8 PCS
4	CSK M4 x 25MM 	8 PCS
5	DOWEL M8 x 30MM 	20 PCS
6	ALLEN KEY (LONG) 	1 PC

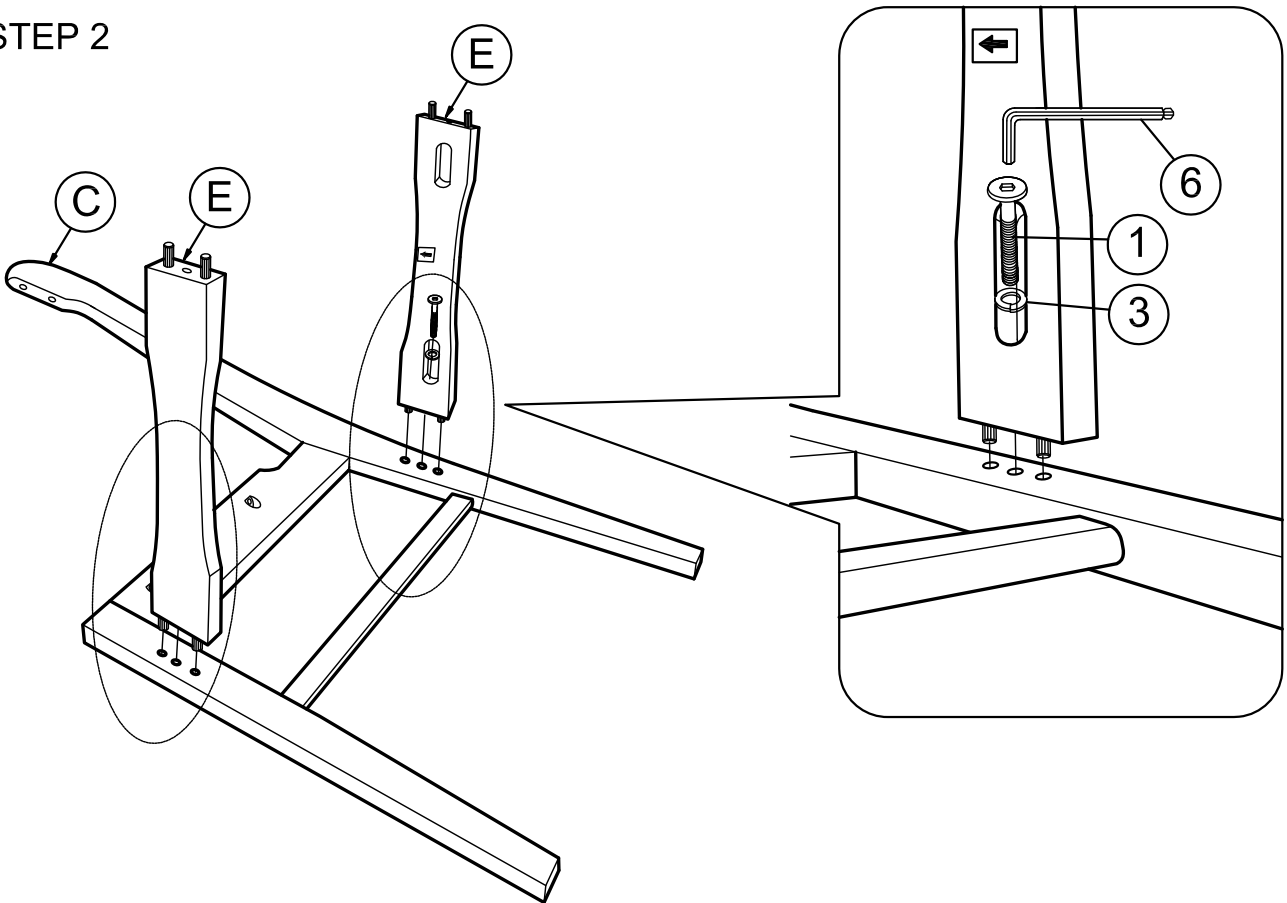
Tools needed for assembly (not included) :



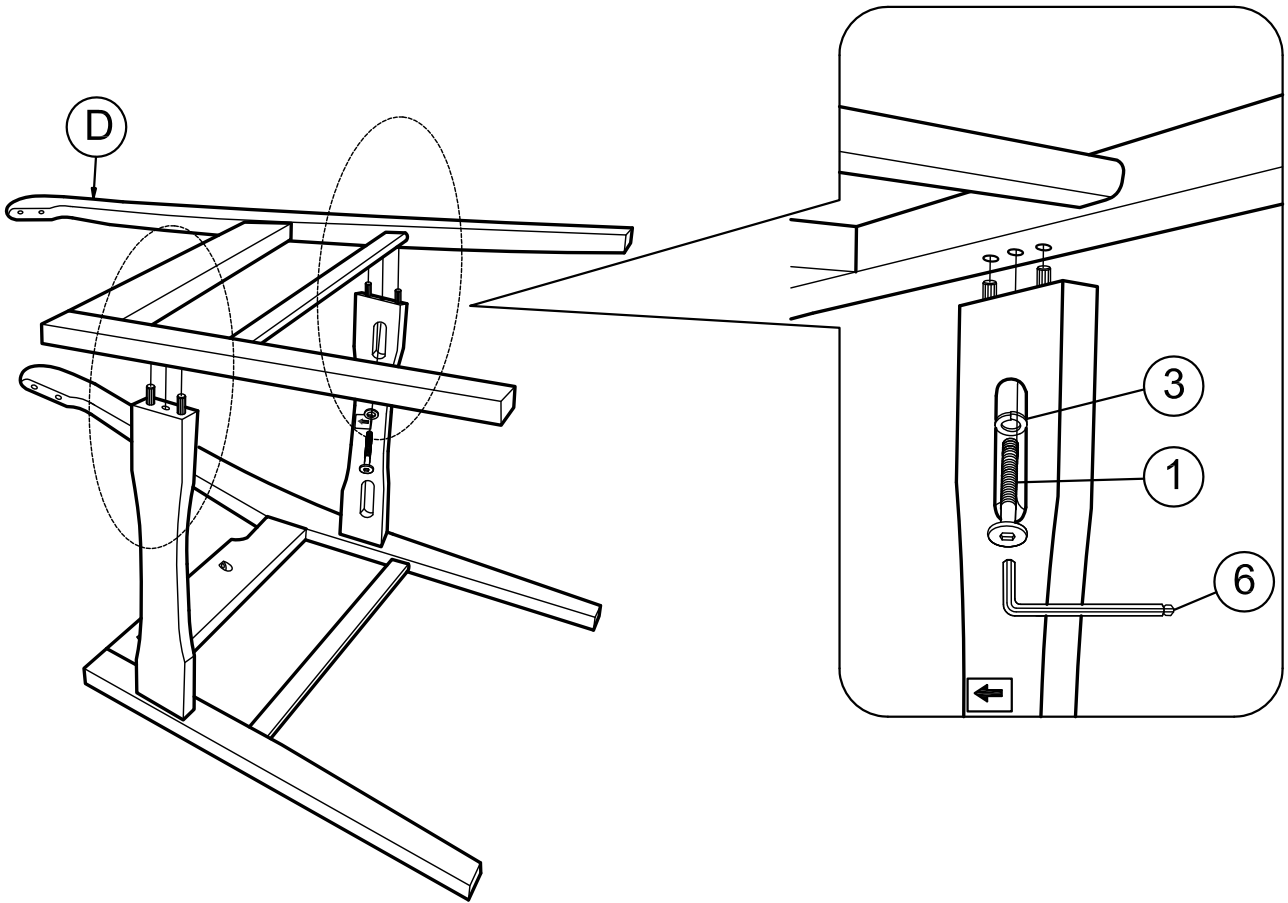
STEP 1



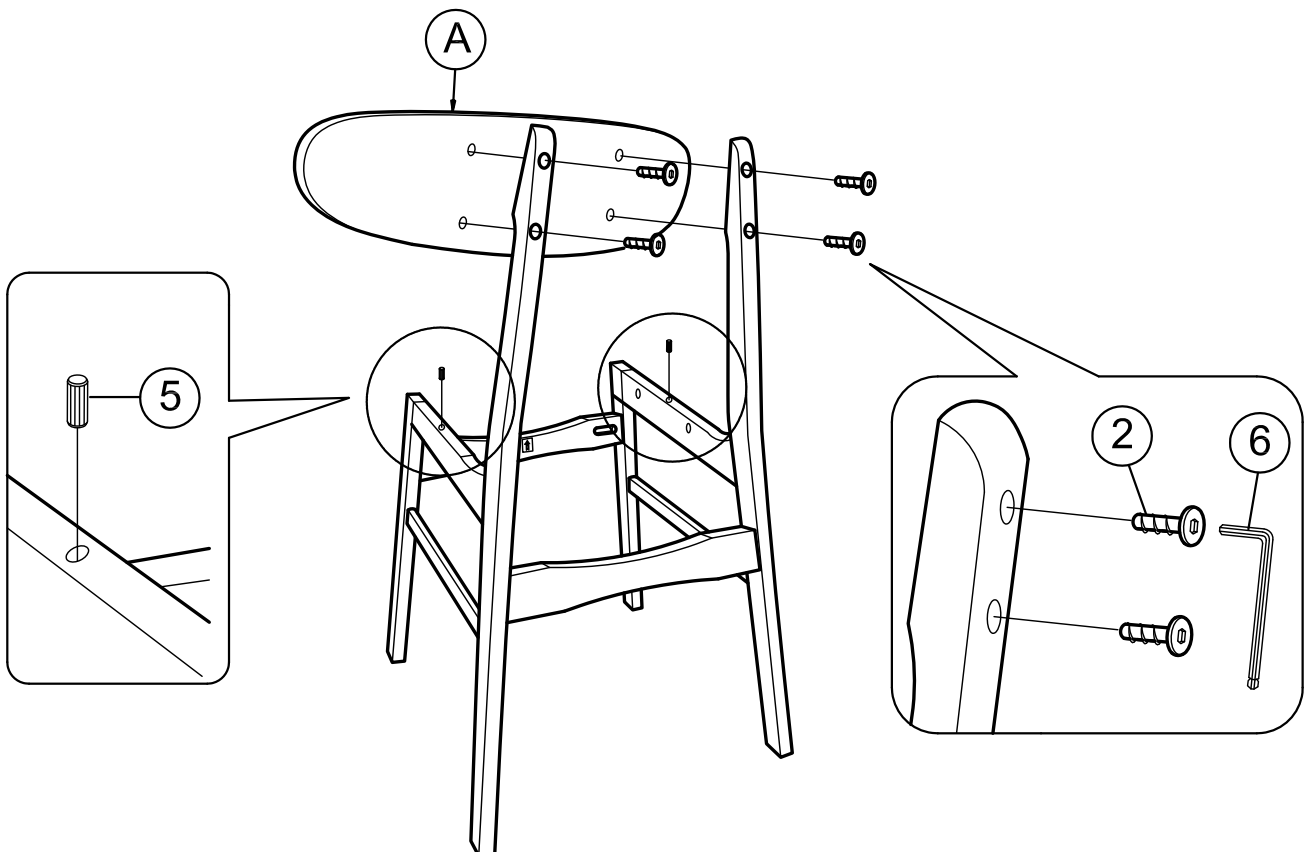
STEP 2



STEP 3



STEP 4



STEP 5

