

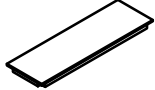

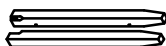
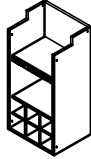
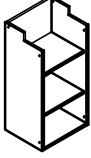

ASSEMBLY INSTRUCTIONS

D321-3P






CHURON GATHERING BAR TABLE & 2 STOOLS (3 PC SET)

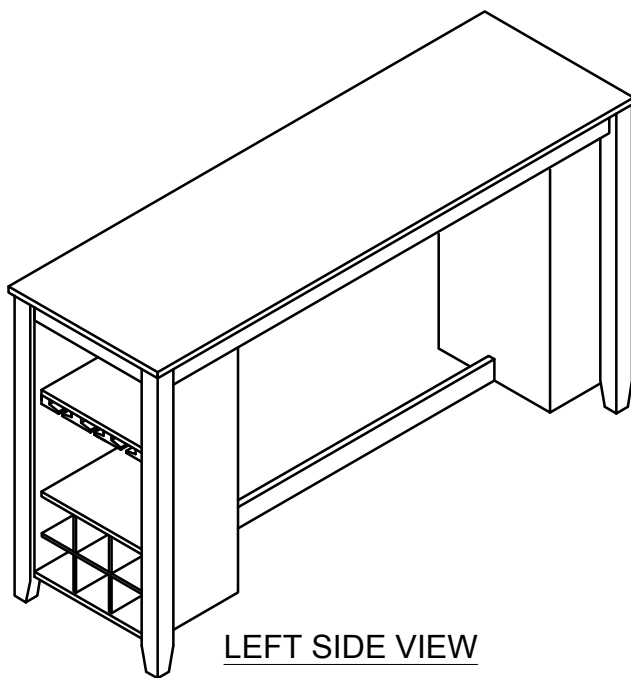
Thank you for purchasing this quality product. Be sure to check all packing materials carefully for small parts, which may have come loose inside the carton during shipment. Identify and count all items and compare with the parts list and/or hardware list shown below.

PARTS LIST

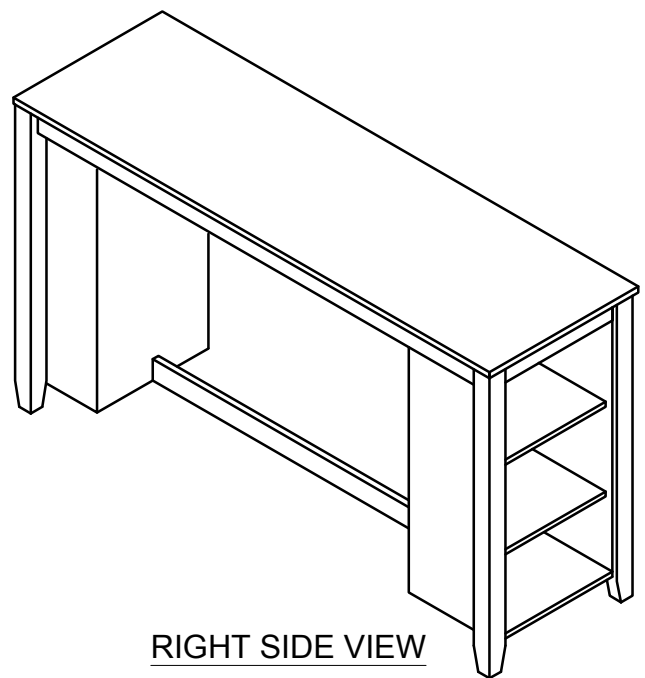
NO	DESCRIPTION	SKETCH	QTY
1	TABLE TOP		1 PC
2	TABLE LEG (L)		2 PCS
3	TABLE LEG (R)		2 PCS
4	WINE RACK BODY		1 PC
5	SHELF BODY		1 PC
6	CROSS BAR		1 PC

HARDWARE LIST

NO	DESCRIPTION	SKETCH	QTY
A	JCBC BOLT - M6 x 60mm		8 PCS
B	JCBC BOLT - M6 x 30mm		14 PCS
C	SPRING WASHER - M6		22 PCS
D	FLAT WASHER - M6		22 PCS
E	ALLEN KEY - M4		1 PC



LEFT SIDE VIEW

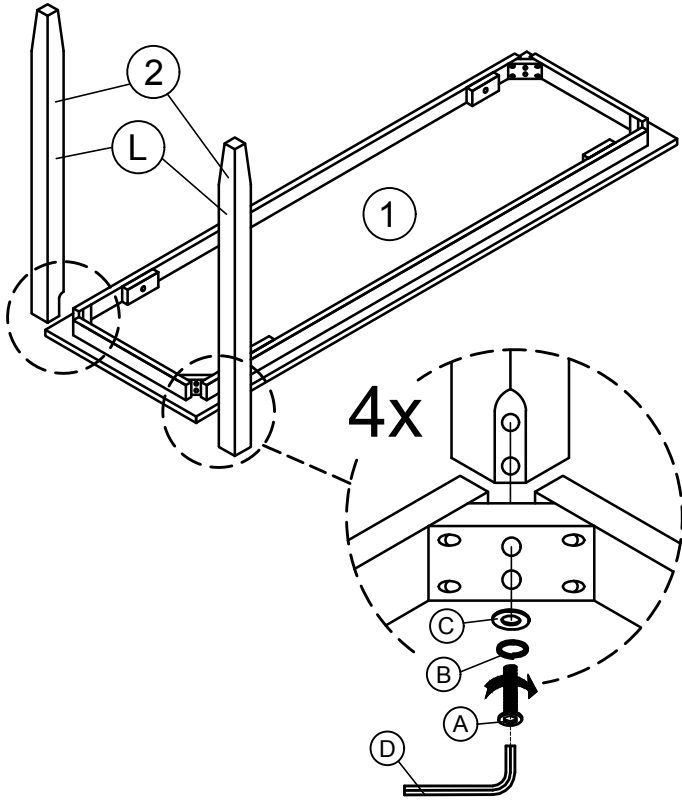


RIGHT SIDE VIEW

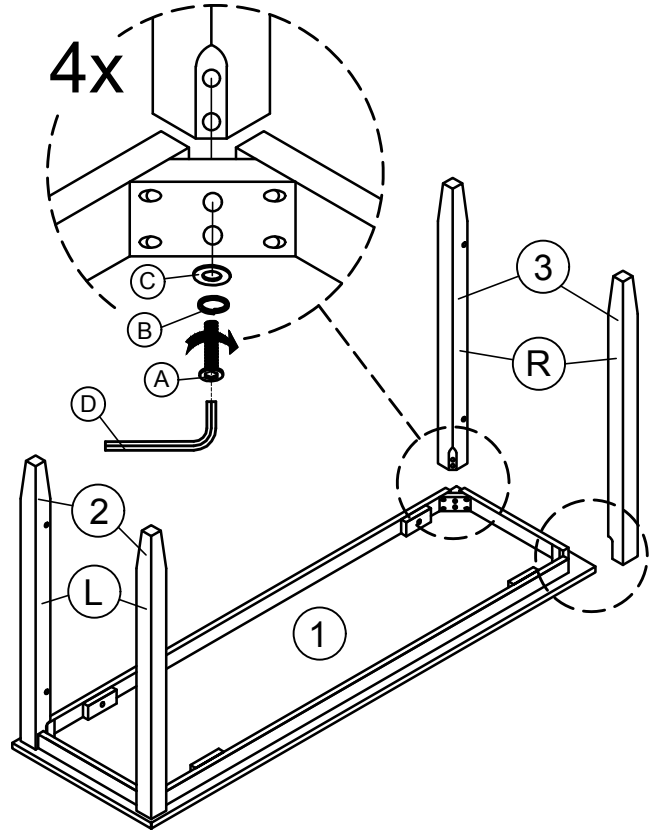
IMPORTANT NOTE :

- * Place all wooden parts on a clean and smooth surface such as a rug or carpet to avoid the parts from being scratched.
- * Check to be sure that you have all parts and hardware.
- * Remove all wrapping materials, including staples & packing straps before you start to assemble.
- * Do not tighten all screws/bolts until all completely assembled.
- * Keep all hardware parts out of reach of children.
- * We recommend that you assemble this product with the assistance of another person.

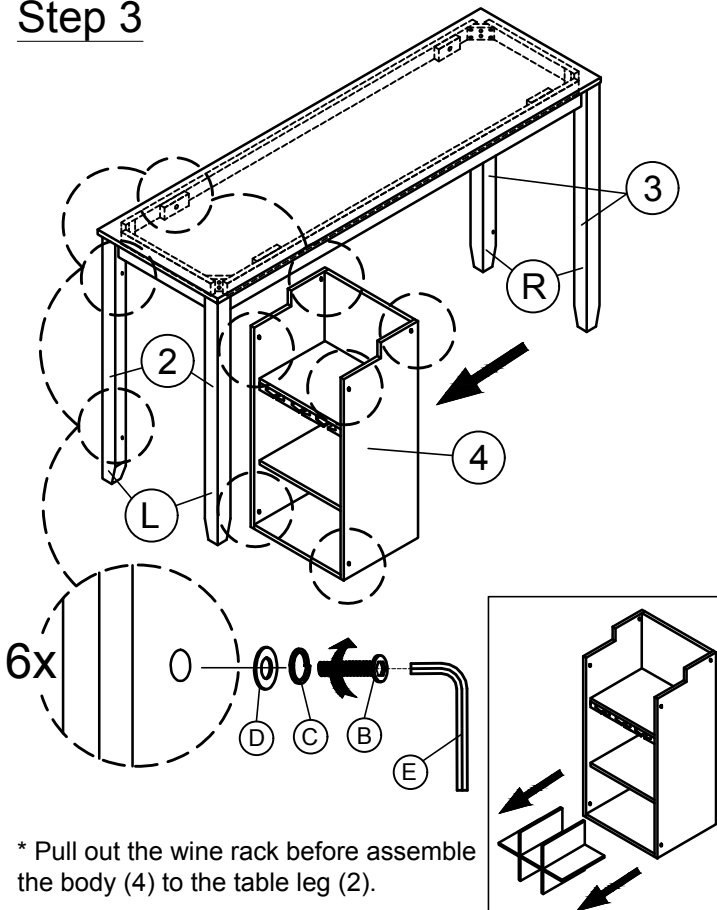
Step 1



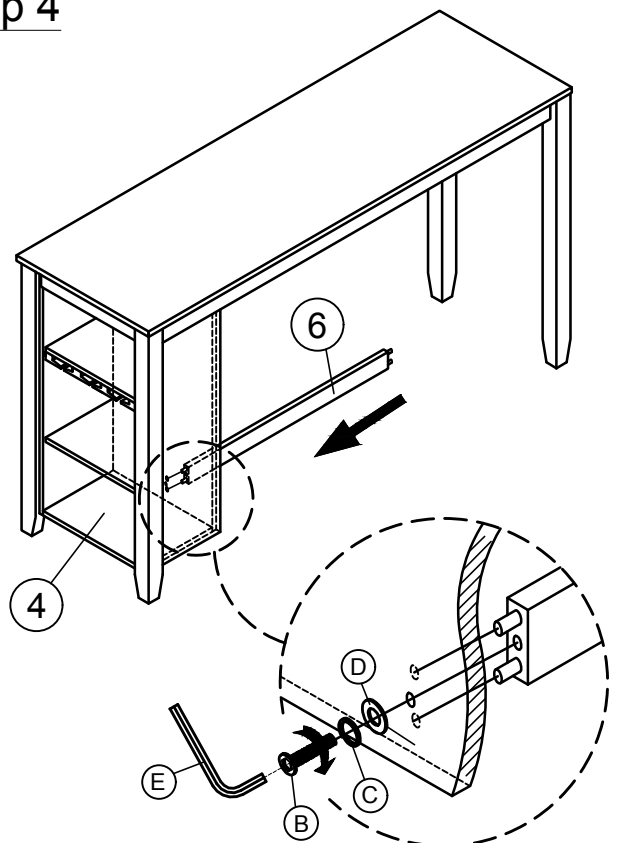
Step 2



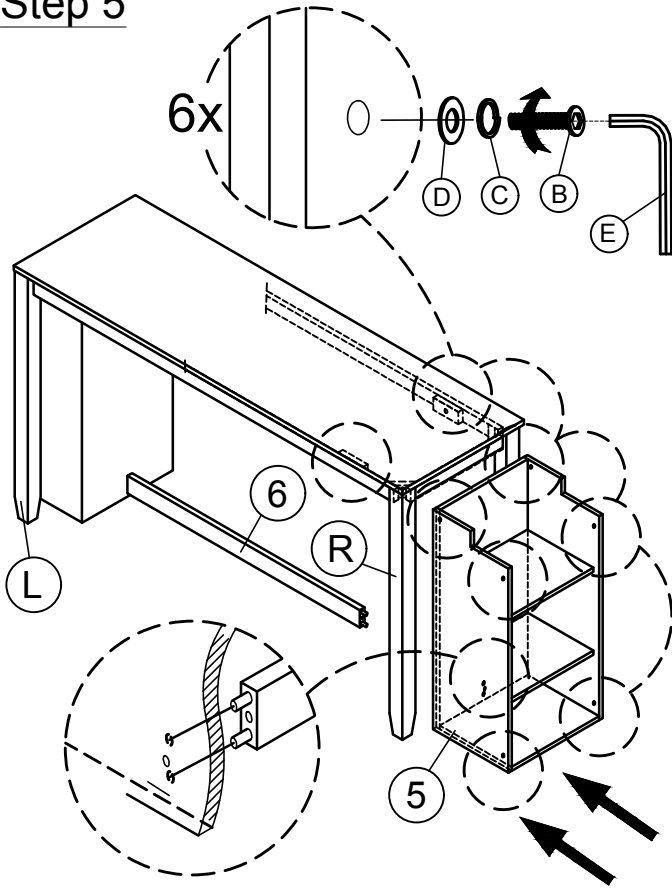
Step 3



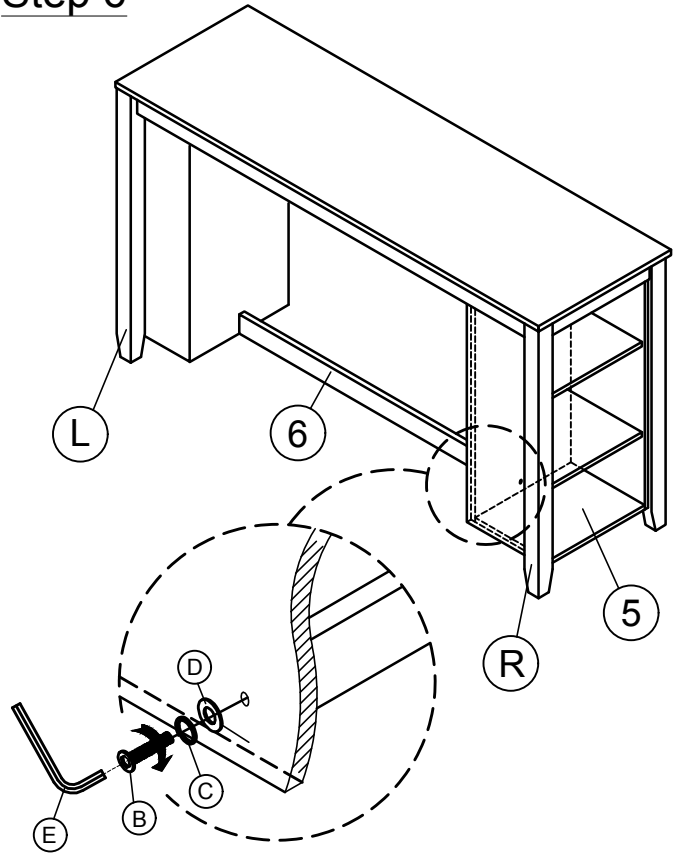
Step 4



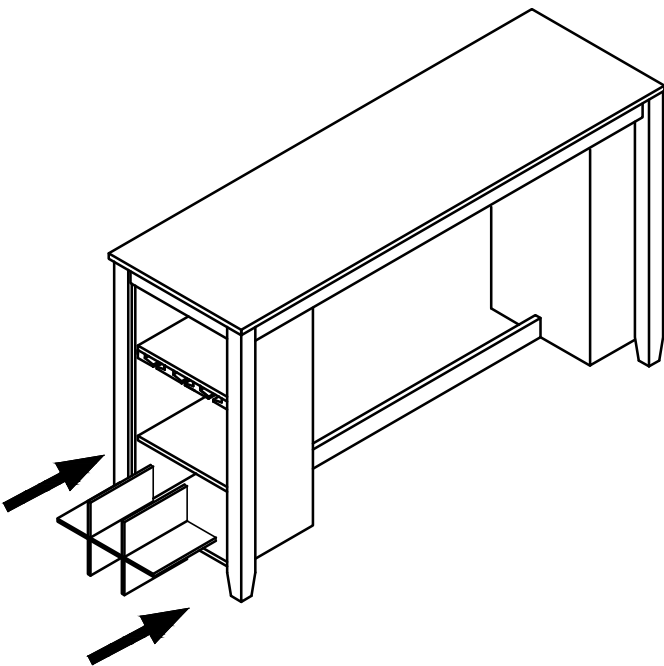
Step 5



Step 6

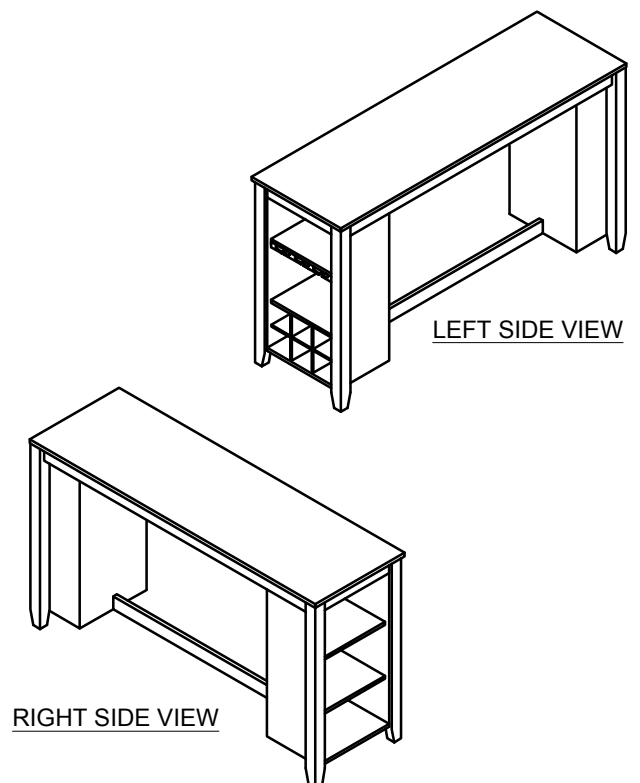


Step 7



* Insert back the wine rack into the body (3) after complete the STEP 6.

COMPLETE ASSEMBLY













ASSEMBLY INSTRUCTIONS

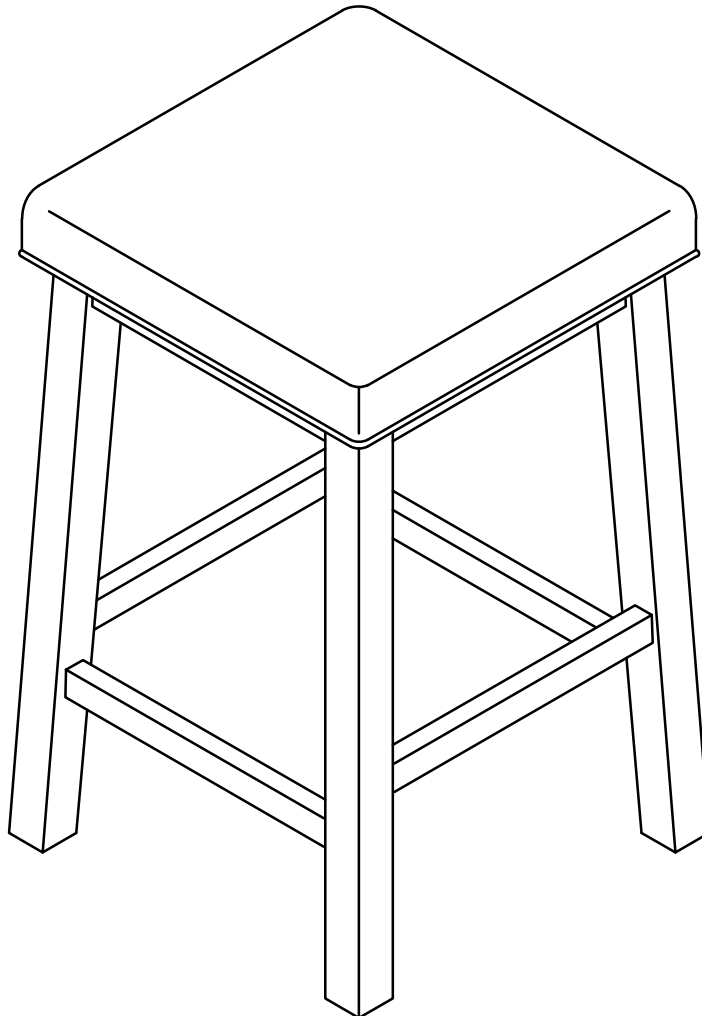
D321-3P

CHURON GATHERING BAR TABLE & 2 STOOLS (3 PC SET)

Thank you for purchasing this quality product. Be sure to check all packing materials carefully for small parts, which may have come loose inside the carton during shipment. Identify and count all items and compare with the parts list and/or hardware list shown below.

PARTS LIST			
NO	DESCRIPTION	SKETCH	QTY
1	CUSHION SEAT		2 PCS
2	STOOL LEG (L)		4 PCS
3	STOOL LEG (R)		4 PCS
4	UPPER STRETCHER (A)		4 PCS
5	LOWER STRETCHER (B)		4 PCS

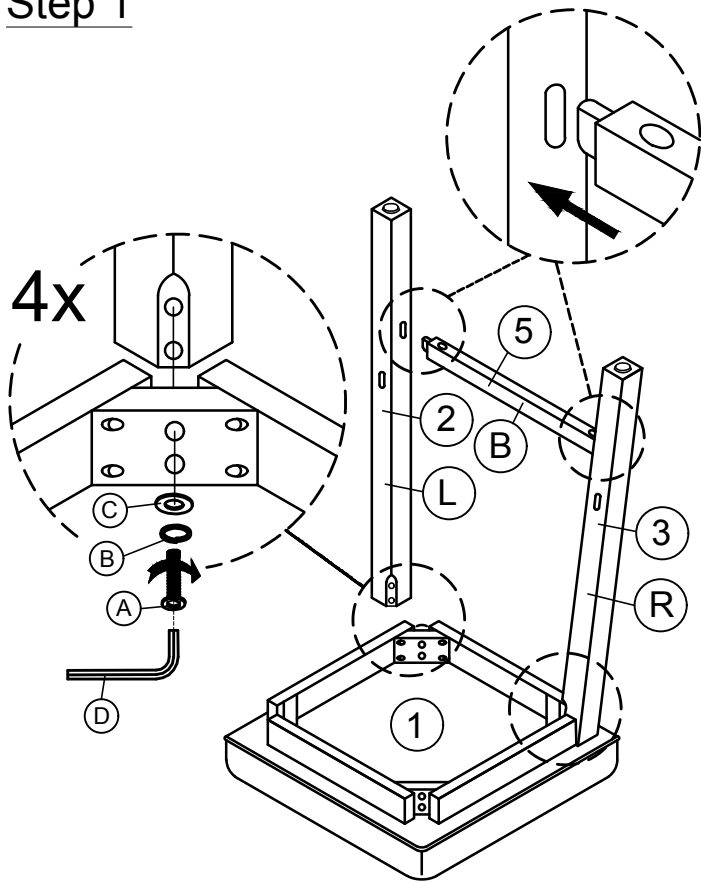
HARDWARE LIST			
NO	DESCRIPTION	SKETCH	QTY
A	JCBC BOLT - M6 x 60mm		16 PCS
B	SPRING WASHER - M6		16 PCS
C	FLAT WASHER - M6		16 PCS
D	ALLEN KEY - M4		1 PC
E	SCREW - M4 x 38mm		16 PCS



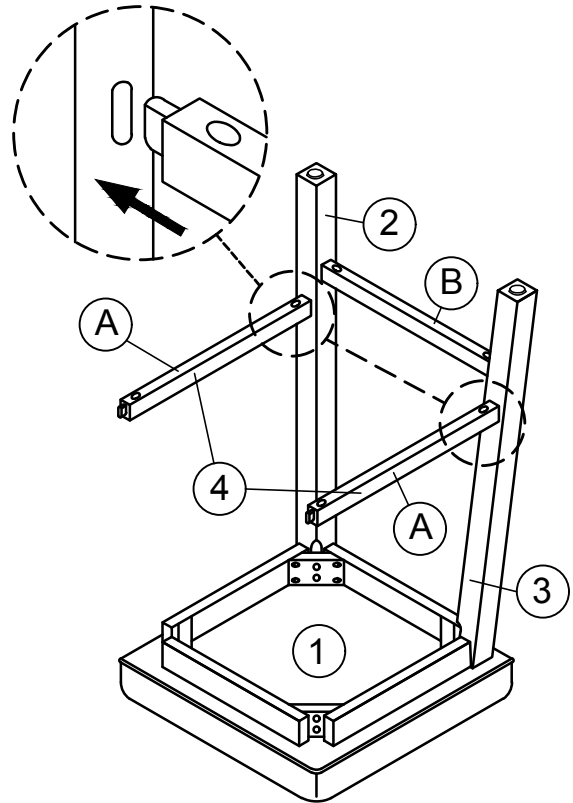
IMPORTANT NOTE :

- * Place all wooden parts on a clean and smooth surface such as a rug or carpet to avoid the parts from being scratched.
- * Check to be sure that you have all parts and hardware.
- * Remove all wrapping materials, including staples & packing straps before you start to assemble.
- * Do not tighten all screws/bolts until all completely assembled.
- * Keep all hardware parts out of reach of children.
- * We recommend that you assemble this product with the assistance of another person.

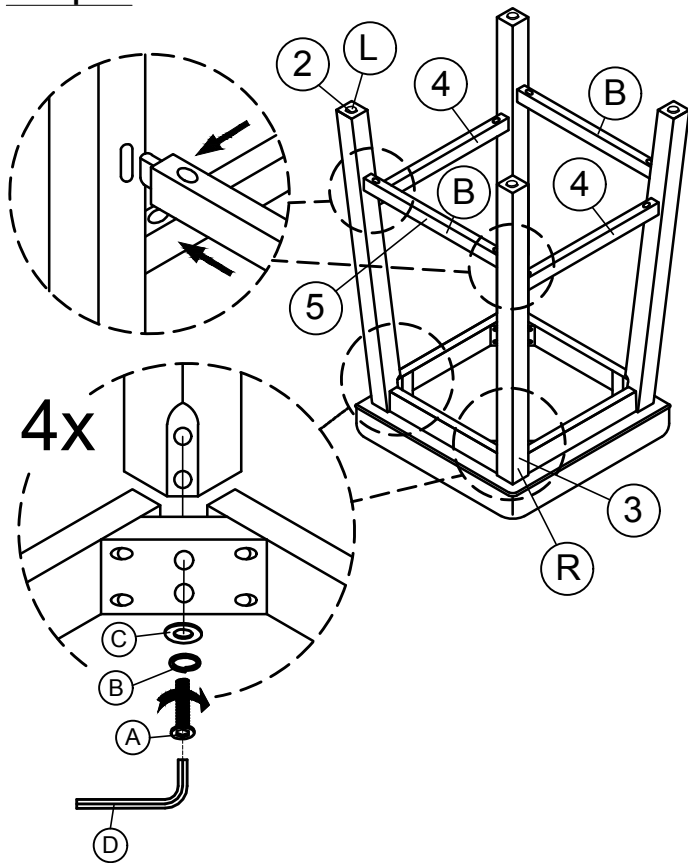
Step 1



Step 2



Step 3



Step 4

