

# Assembly Instructions






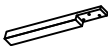


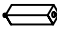
ITEM: B594-110/B594G-110 CAGNEY 6/6-6/0 K HEADBOARD-VINTAGE GRAY  
 B594-120/B594G-120 CAGNEY 6/6-6/0 EK/K FOOTBOARD & SLATS-VINTAGE GRAY  
 B594-330/B594G-330 CAGNEY 5/0 -6/6 Q/EK SIDE RAILS-VINTAGE GRAY

Thank you for purchasing this quality product. Be sure to check all packing materials carefully for small parts, which may have come loose inside the carton during shipment. Identify and count all items and compare with the PARTS LIST and/or HARDWARE LIST shown below.


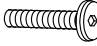
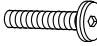



Caution: Please read the instructions thoroughly before assembly.

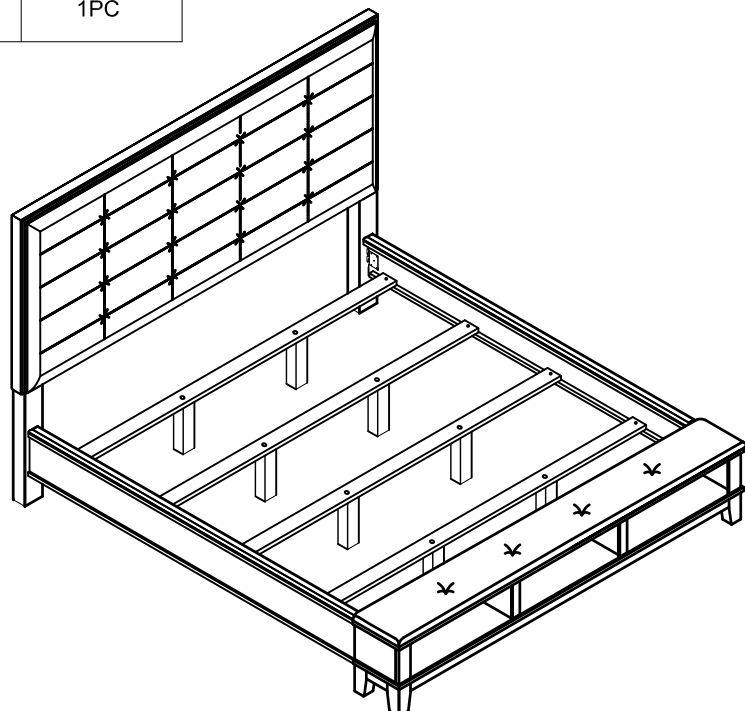
1. We recommend that you assemble this product with the assistance of another person; this will make the assembly easier, and will help eliminate damage to the product or injury to persons during assembly.
2. Please do not over tighten screws or bolts until the assembly is completed.
3. Please put all parts on a non-abrasive floor before assembly, and follow the assembly steps to assemble your newly purchased product correctly and efficiently.

## PARTS LIST

NO:	COMPONENT	SKETCH	Q'TY
A	KING HEADBOARD		1PC
B	KING FOOTBOARD		1PC
C	SIDE RAIL		2PCS
D	SLAT		4PCS
E	SUPPORT LEG		8PCS
F1	HEADBOARD LEFT LEG		1PC
F2	HEADBOARD RIGHT LEG		1PC
G	BUN FOOT		4PCS
H	FOOTBOARD SUPPORT LEG		1PC

## HARDWARE LISTS

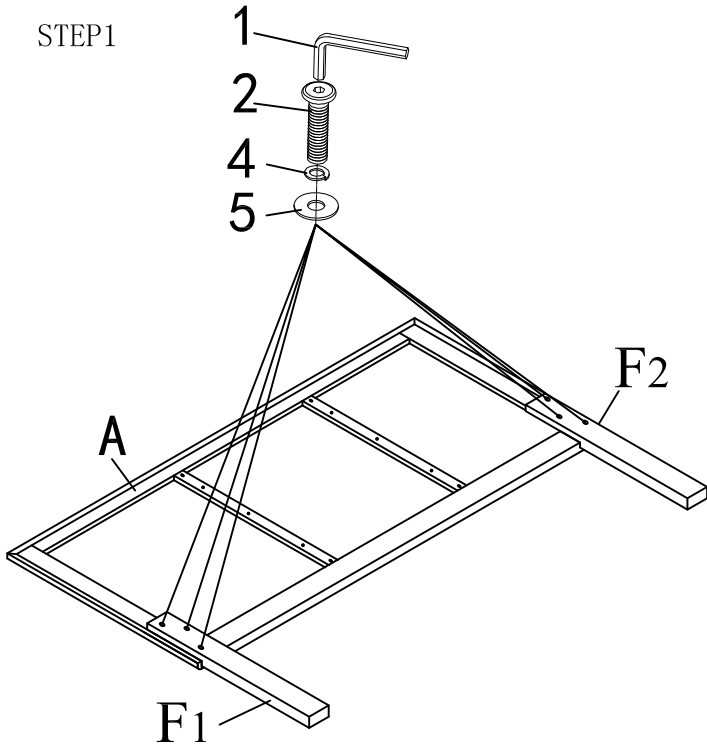
NO:	COMPONENT	SKETCH	Q'TY
1	ALLEN KEY		1PC
2	BOLT 5/16" x 55mm		6PCS
3	BOLT 5/16" x 70mm		8PCS
4	LOCK WASHER 5/16"		14PCS
5	FLAT WASHER 5/16"		14PCS
6	SCREW: # 8 X 25mm		8PCS



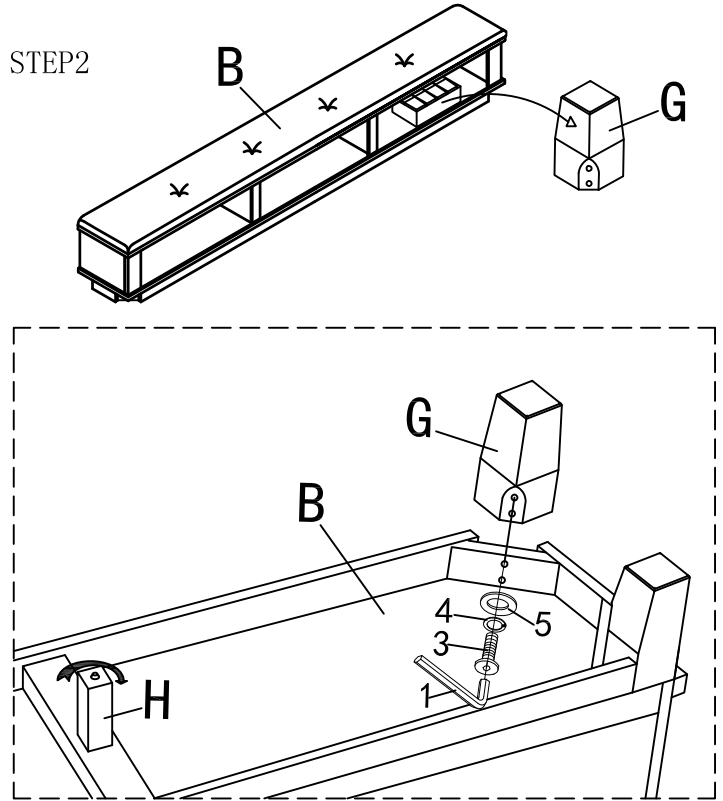
# Assembly Instructions

ITEM: B594-110/B594G-110 CAGNEY 6/6-6/0 K HEADBOARD-VINTAGE GRAY  
 B594-120/B594G-120 CAGNEY 6/6-6/0 EK/K FOOTBOARD & SLATS-VINTAGE GRAY  
 B594-330/B594G-330 CAGNEY 5/0 -6/6 Q/EK SIDE RAILS-VINTAGE GRAY

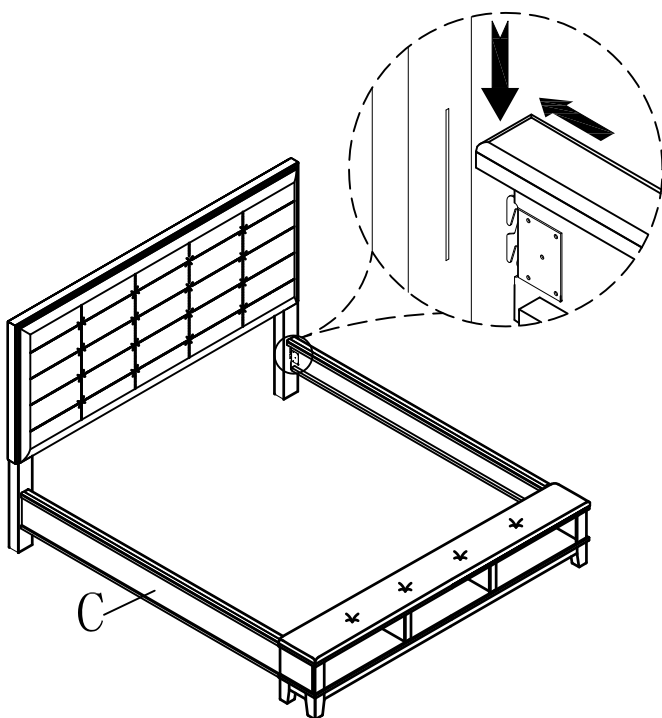
STEP1



STEP2



STEP3



STEP4

