

ASSEMBLY INSTRUCTIONS

MODEL : B2643
QUEEN BED LED LIGHT

(Box 1)
BOX OF HEADBOARD

No	ITEM	Qty
A	Headboard	1 pc
B	Headboard Left & Right Nail Leg	2 pcs

(Box 2)
BOX OF FOOTBOARD

No	ITEM	Qty
C	Footboard Nail Leg	1 pc

(Box 3)
BOX OF SIDE RAIL/SLAT /SLAT
SUPPORT/CONCEALED PANEL

No	ITEM	Qty
D	Side Rail	2 pcs
E	Slat	3 pcs
F	Slat Support 30 x 30 x 225mm	5 pcs
G	Concealed Panel	5 pcs
H	Bed Slat with marking	2 pcs

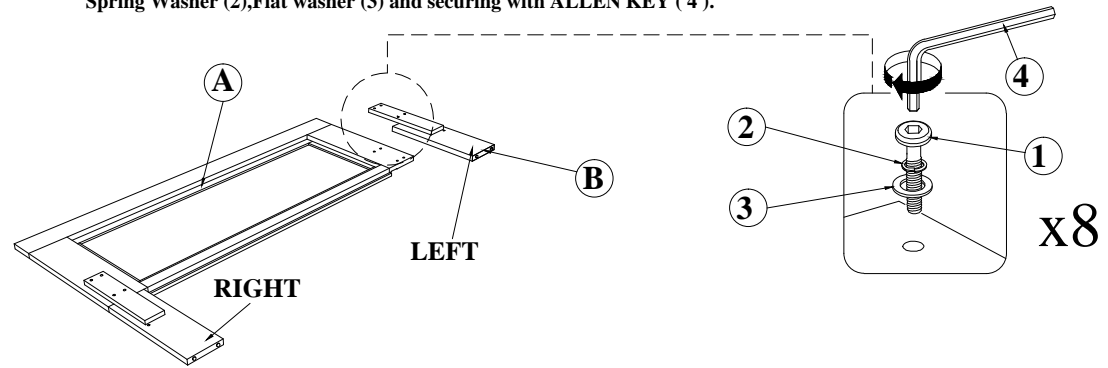
(Box 1)
HARDWARE LIST

No	ITEM	Qty
1	JCBC M6 x 35mm	8 pcs
2	SPRING WASHER 1/4" Rbw	8 pcs
3	Flat Washer 1/4"ID x 19mmOD Blk	8 pcs
4	ALLEN KEY m4x65mm Blk	1 pc
4a	Adaptor	1pc

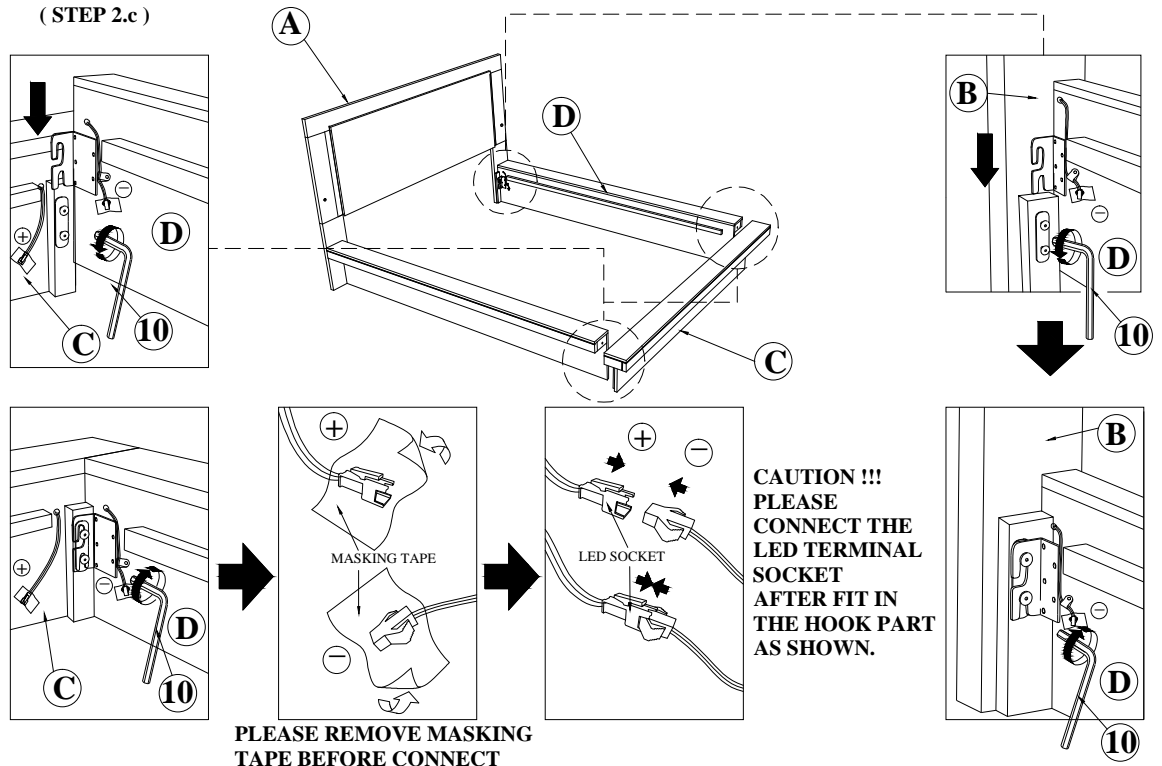
(Box 3)
HARDWARE LIST

No	ITEM	Qty
5	JCBC M6 x 50mm	5 pcs
6	ALLEN KEY m4x65mm Blk	1 pc
7	JCBB Bolt M8 x 70mm	4 pcs
8	Flat Washer 5/16"ID x 22mmOD Blk	8 pcs
9	Wing- Nut M8	4 pcs
10	ALLEN KEY m5x65mm Blk	1 pc
11	CSK M4 x 32mm	10 pcs
12	Pan Head Screw M3.5 x 20MM	25 pcs

STEP 1 : Attach Head Board Leg (B) to Head Board (A) as shown using JCBC BOLT (1) with Spring Washer (2),Flat washer (3) and securing with ALLEN KEY (4).

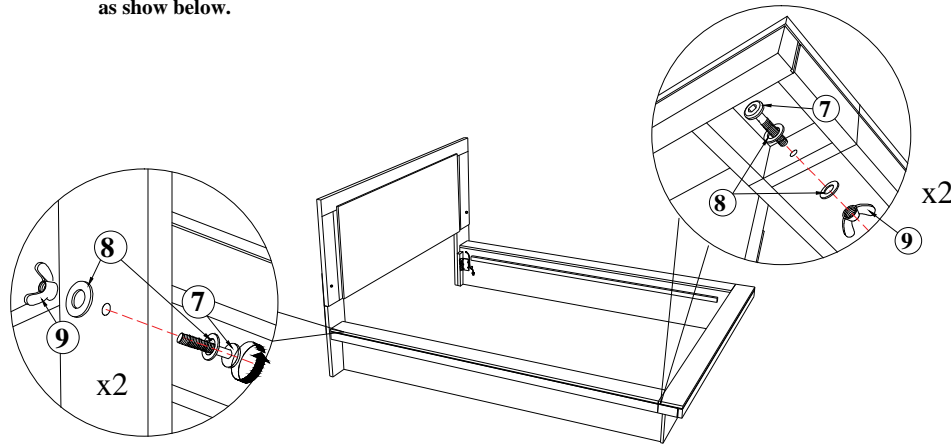


STEP 2 : Loosen the JCBB Bolt from Headboard (A) and Footboard (C) using ALLEN KEY (10). Attach the Side Rail (D) to Headboard (A) and Footboard (C) by pushing the bracket down to fit it. Tighten the JCBB Bolt with ALLEN KEY (10). Connect the LED terminal socket which is place on left & right of side rail (D) and Footboard (C) as shown. CAUTION : Do not connect the LED terminal socket that place nearby heaboard leg on this STEP.

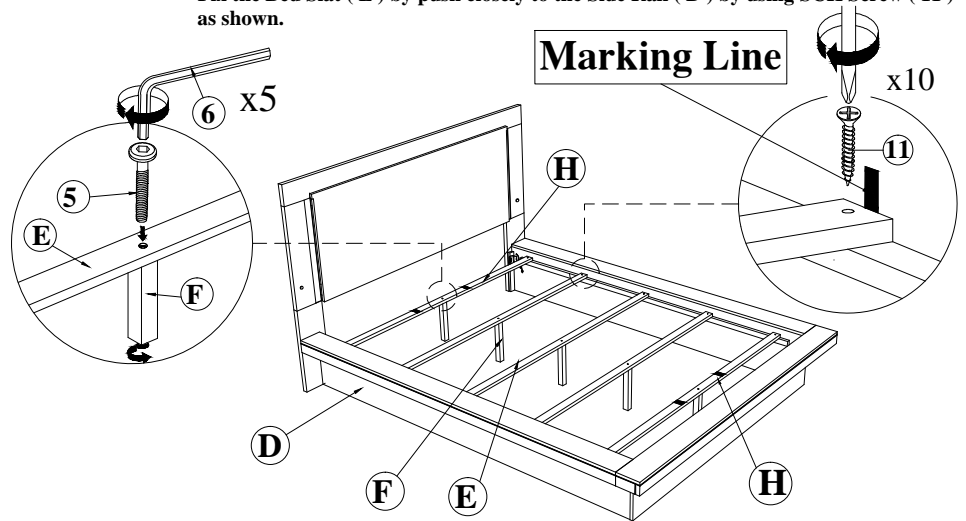


ASSEMBLY INSTRUCTIONS

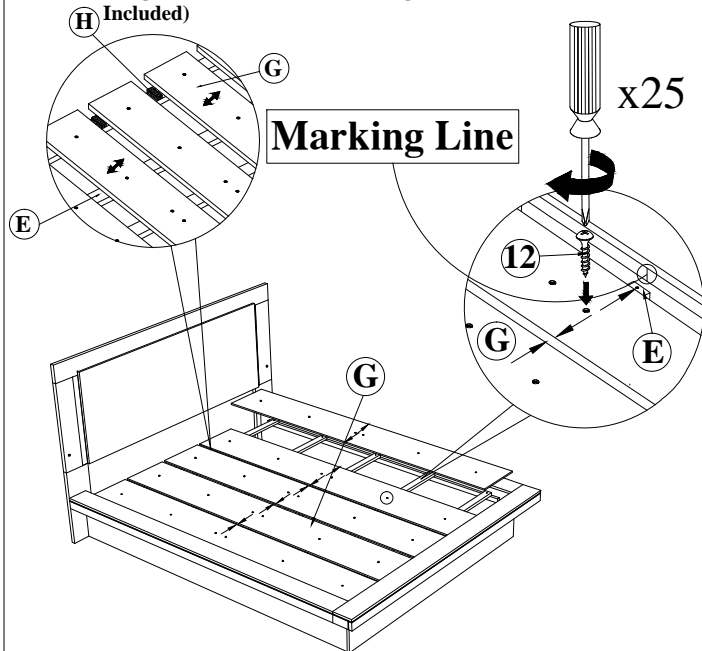
STEP 3 : Tighten JCBB bolt (7) with Flat Washer (8) and Wing Nut (9) as show below.



STEP 4 : Fix the Bed Slat Support (F) to the Bed Slat (E) & (H) as shown. Fix the Bed Slat (E) by push closely to the Side Rail (D) by using SCK Screw (11) as shown.



STEP 5: Attach Concealed Panel (G) at the upper Bed Slat (E) & (H) using Panhead Screw (12) and tighten with Screw Driver.(not Included)



STEP 5: Loosen the attached wire terminal socket at the back headboard (A) with screw driver (NOT PROVIDED) as shown. Connect the Terminal LED socket carefully. Lastly connect the adaptor (4a) into input power socket.

