

**ASSEMBLY INSTRUCTIONS**  
B1334-310, B1334-320, B1334-330  
**BLUE RIDGE QUEEN BED**

Thank you for purchasing this quality product. Be sure to check all packing materials carefully for small parts, which may have come loose inside the carton during shipment. Identify and count all items and compare with the parts list and / or hardware list as shown below.

**MODEL : B1334-310/320/330**  
**QUEEN BED**

(B1334-310)

BOX OF HEADBOARD

NO	ITEM	QTY
A	Headboard	1
B	Headboard Leg (L&R)	2

(B1334-320)

BOX OF FOOTBOARD

NO	ITEM	QTY
C	Footboard	1
D	Slat	4
E	Slat support	4

(B1334-330)

BOX OF SIDE RAIL

NO	ITEM	QTY
F	Side Rail	2

(B1334-310)

HARDWARE LIST

NO	ITEM	QTY
1	JCBC BOLT M6 x 40MM	4 PCS
2	JCBC BOLT M6 x 80MM	2 PCS
3	SPRING WASHER 1/4" RBW	4 PCS
4	FLAT WASHER 1/4" ID x 19mmOD BLK	4 PCS
5	WOOD DOWEL 10mmx30mm	2 PCS
6	ALLEN KEY M4 x 110MM	1 PCS

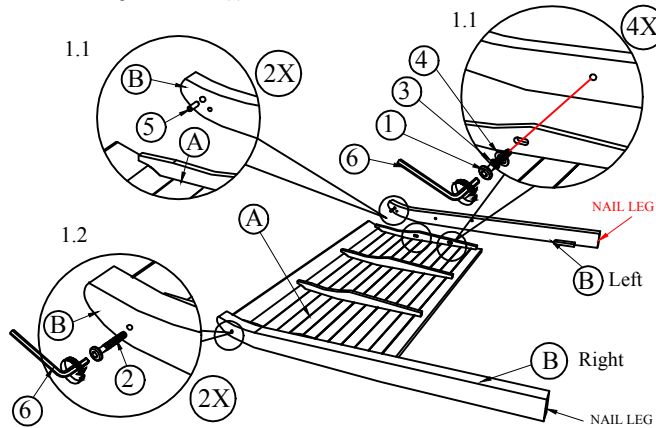
(B1334-320)

HARDWARE LIST

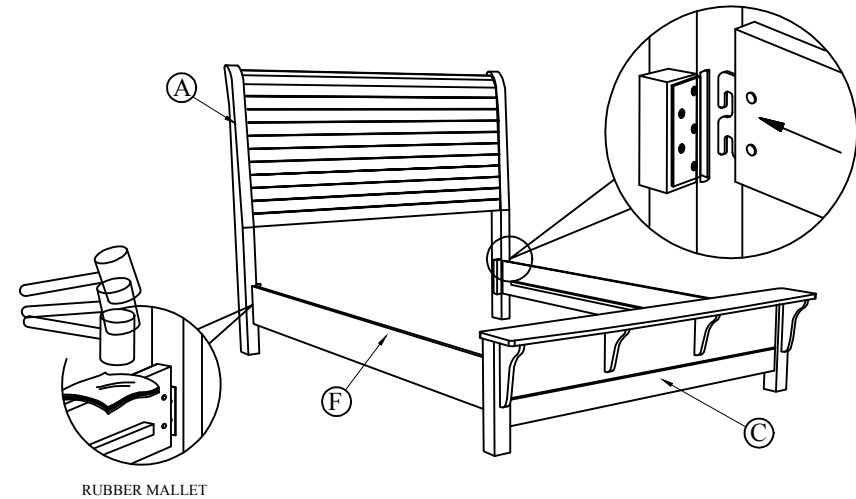
NO	ITEM	QTY
7	CSK SCREW M4 x 32MM RBW	8 PCS

**STEP 1-1:** Insert DOWELS (5) into HEADBOARD (A), as shown, and slide HB PANEL (A) to HB LEG (B). Tighten with JCBC BOLT (1), SPRING WASHER (3) & FLAT WASHER (4), using ALLEN KEY (6), as shown.

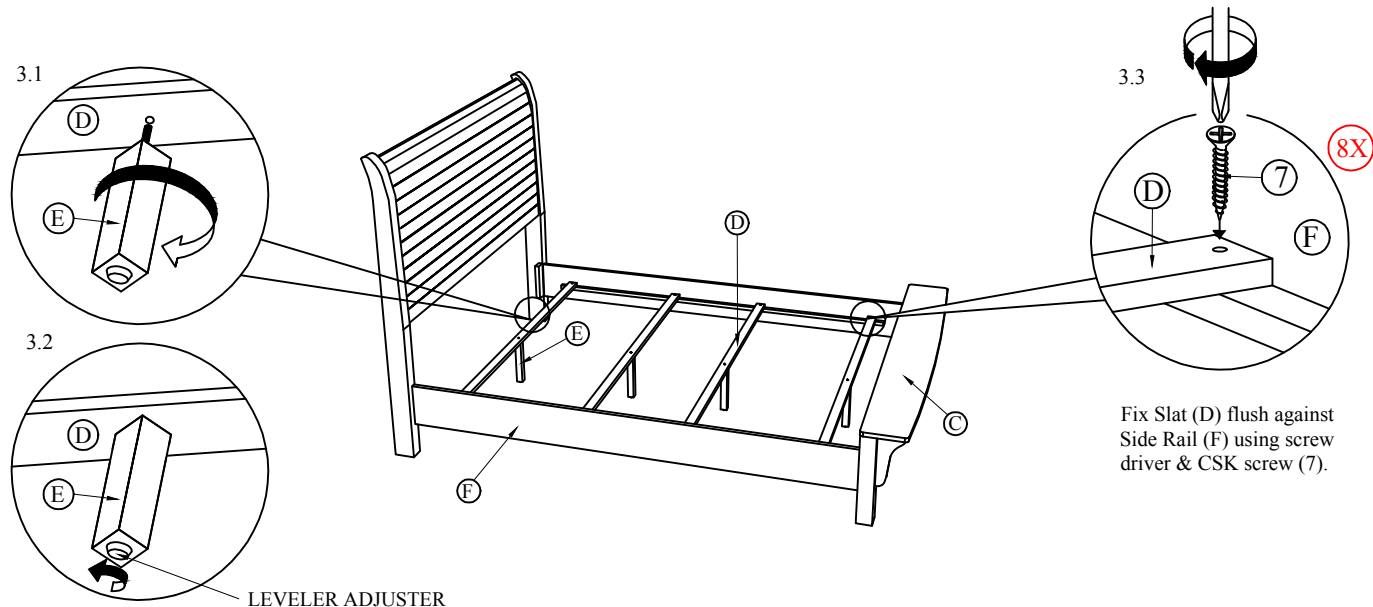
**STEP 1-2:** Screw JCBC BOLT (2) into pre-drilled hole on headboard leg (B) and tighten, using ALLEN KEY (6) as shown.



**STEP 2 :** Hook SIDE RAIL (F) TO HEAD BOARD (A) closely and push down to fit. repeat step 2 with other end of rail to hook onto FOOTBOARD (C).



**STEP 3 :** Fix the Bed Slats Support ( E ) to Bed Slats ( D ) as Shown and fix the Bed Slats to Side Rail ( F ) by using Flat Head Chipboard Screw ( 7 ). Loosen or Tighten the Adjuster as necessary to level the bed. Bed assembly should be done in final location to ensure stability.



Fix Slat (D) flush against Side Rail (F) using screw driver & CSK screw (7).