
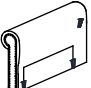
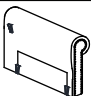




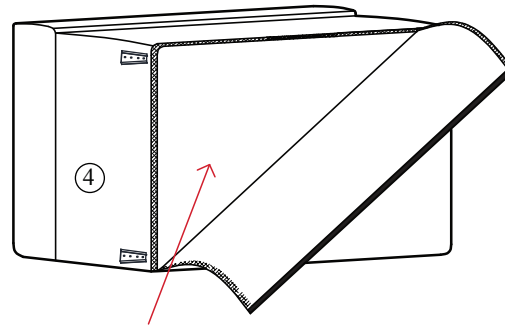
ASSEMBLY INSTRUCTION

ITEM : UKD16-10 ALANI CHAIR

Thank you for purchasing this quality product. Be sure to check all packing materials carefully for small parts, which may have come loose inside the carton during shipment. Identify and count all items and compare with the parts list and/or hardware list shown below.

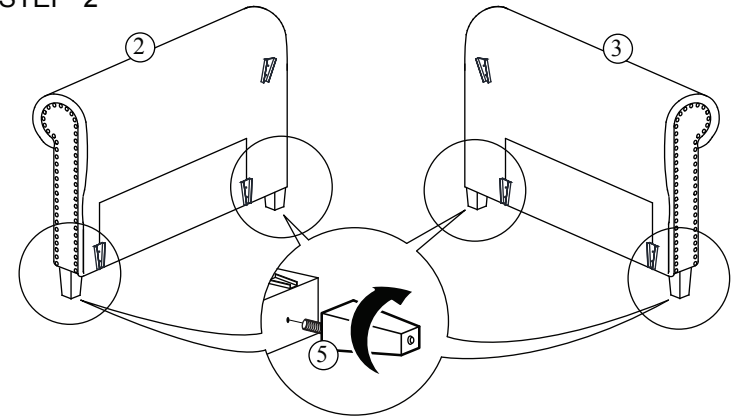
NO	PARTS LIST	QTY
1	 BACK REST 1PC	1PC
2	 SIDE PANEL (L) 1PC	1PC
3	 SIDE PENL (R) 1PC	1PC
4	 BOX SEAT 1PC	1PC
5	 LEG 4PCS	4PCS

STEP 1

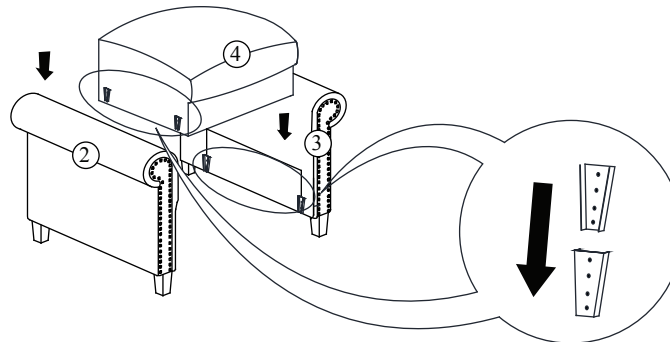


Please locate the side panels and legs inside the compartment at the bottom of the seat body.

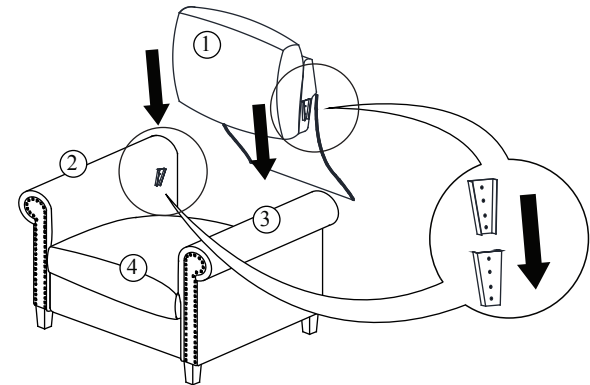
STEP 2



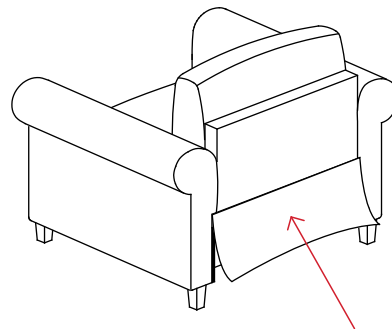
STEP 3



STEP 4

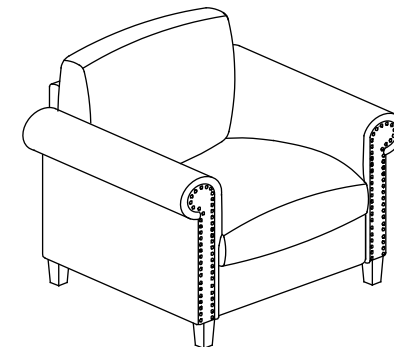


STEP 5



Align the back cover evenly and attached to touch fastener on frame. Repeat the step if necessary for better fit.

STEP 6



ASSEMBLY COMPLETED