

CHAIR ASSEMBLY INSTRUCTIONS

REFER TO DIAGRAM BEFORE COMPLETING EACH STEP

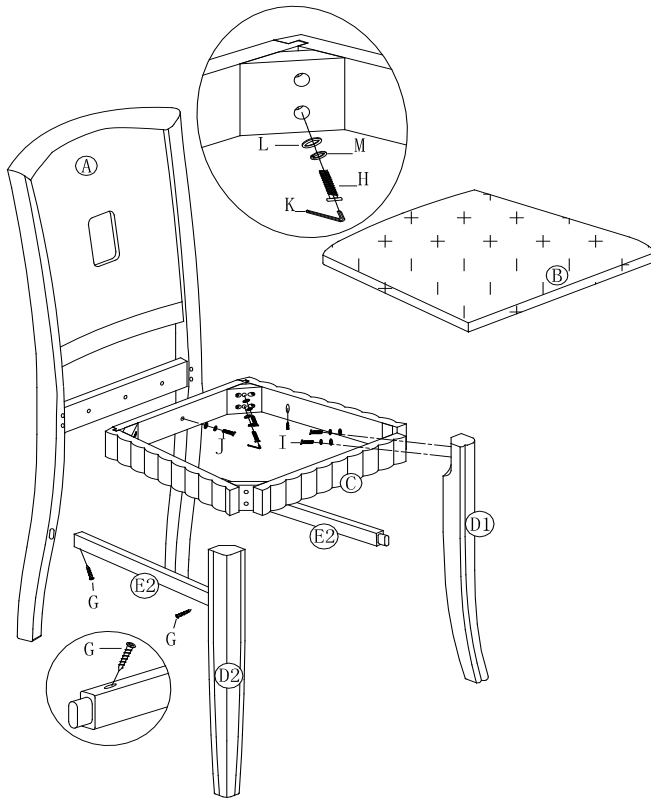
ITEM : 40-112-20

PARTS AND HARDWARE LIST

Use only the screws provided to assemble chair. Using different or longer screws could result in splits or damage to the chair.

DO NOT USE POWER TOOLS FOR ASSAMBLY

NO	DESCRIPTION	QTY	NO	DESCRIPTION	QTY
A	Back Leg assenby	1pc	G	Longscrew	7pcs
B	Wood seat	1pc	H	Longboit3-1/4	4pcs
C	Seat frame	1pc	I	Mediumboit2-1/4	4pcs
D1	Front Leg(left)	1pc	J	Shortboit1-1/2	1pc
D2	FrontLeg(Right)	1pc	K	Allrn wrench	1pc
E1	Link bar(left)	1pc	L	Flat washer	9pcs
E2	Link bar(Right)	1pc	M	Lockwasher	9pcs



- ASSEMBLE SEAT FRAME AND BACK:** Match up the holes on the Seat Frame (C) to the Back Leg Assembly (A).
- Thread a Flat Washer (L) onto a Long Bolt (H). Then slide a Lock Washer (M) on the same bolt and insert the bolt assembly into the predrilled corner holes of the Seat Frame and the matching holes on the Back Leg Assembly. Tighten them with the Allen Wrench (K) provided. Repeat with other back corner.
- Thread a Flat Washer (L) onto a Short Bolt (J). Then slide a Lock Washer (M) on the same bolt and insert this assembly into the predrilled holes on the back of the Seat Frame and the matching holes on the Back Leg Assembly. Tighten them with the Allen Wrench (K) provided. Repeat with remain holes on back of seat frame.
- Insert Link Bars (E1, E2) into the holes provided on the lower portion of the Back Leg Assembly (A). There is a predrilled hole on each end of the link bars. Make sure those holes are positioned facing down (Towards the floor when the chair is completely assembled)
- CONNECT FRONT AND BACK:** Insert the Front Leg Assembly from Step 4 into the appropriate slots of the Seat Frame (C).
- Fit the Link Bars (E1, E2) from step 3 into the appropriate holes of the front legs.
- Match the holes at the top corner of each leg with the holes at the front corners of the Seat Frame. Thread a Flat Washer (L) and Lock Washer (M) onto a Medium Bolt (I). Insert this bolt assembly through the Seat Frame and into the matching holes on the Front Legs. Do not fully tighten. Repeat with the other legs, securing loosely.
- Before completely tightening Seat Frame to Legs, check to make sure the holes on the Front Stretcher and Link Bars are still facing down (Towards the Floor when the chair is completely assembled). Tighten all bolts.
- SECURE STRETCHERS and LINK BARS:** Insert a Long Screw (G) through the predrilled hole on each stretcher and link bar and tighten with a screwdriver.
- ATTACH SEAT:** Place Seat (B) on the Seat Frame and secure from underside using short screws provided.