

Power Motion Troubleshooting

Components of power motion system:



Actuator



SMPS Box



Power Cord



Power Button



Y Cable

If Power Motion components are not operating properly, check for these issues:

STEP ONE:
Make sure outlet is working. Plug a lamp or other electronic device into outlet to make sure power is flowing.

NEXT STEPS →



BAD



GOOD

Make sure power motion cord is securely plugged into outlet.



BAD



GOOD

Make sure the cord power cord to the SMPS box is completely plugged in.



BAD



GOOD

Make sure connection between SMPS and actuator is secure



BAD



GOOD

Make sure plug to actuator is secure



BAD

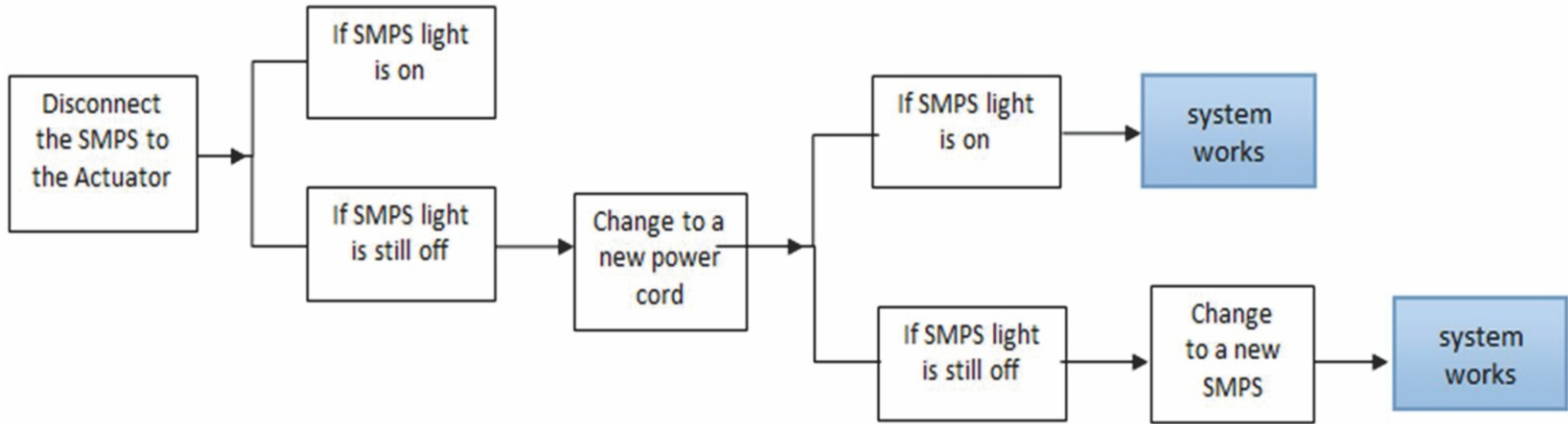


GOOD

Check for frayed or cut wires

Step 2
SMPS
Troubleshooting

IF PLUGGED IN AND SMPS LIGHT IS OFF, PRODUCT IS NOT OPERATIONAL



IF PLUGGED IN AND SMPS LIGHT IS ON BUT PRODUCT IS NOT OPERATIONAL

