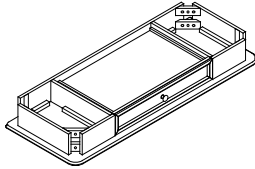




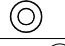
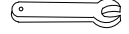
05-230-091# DESK ASSEMBLY INSTRUCTIONS

PARTS & HARDWARE LIST

LIST OF PARTS

A		TABLE TOP W/APRONS	1 pcs
B		TABLE BACK LEGS	2 pcs
C		TABLE FRONT LEGS	2 pcs

HARDWARE LIST

D		BOLT	8 pcs
E		LockWasher	8 pcs
F		FLAT WASHER	8 pcs
G		Wrench	1 pcs

INSTRUCTIONS

1. Place Top (A) on carpeting or carton for protection.
2. Insert Bolts (D) through Lock Washers (E) and Flat Washers (F), through skirt of Top (A) and tighten into Legs (B) with Wrench (G) provided.
3. Repeat the same assembling procedure for the remaining three legs.
4. Turn the assembled desk over carefully.

