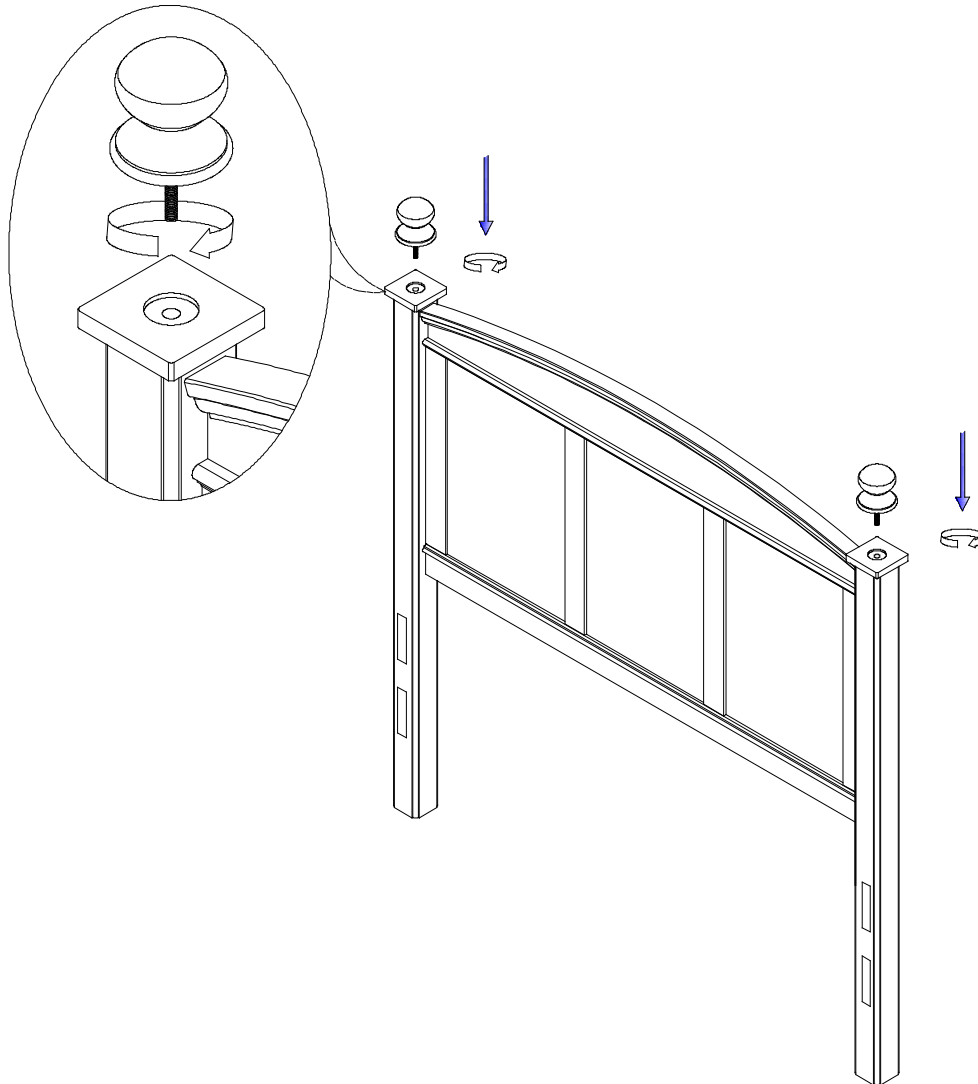


ASSEMBLY INSTRUCTIONS
CANYON RIDGE PANEL HEADBOARD

Caution: Please read instructions thoroughly before unpacking assembly parts.

1. Be sure to check all packing materials carefully for small parts before discarding.
2. Insert final into headboard and hand tighten.
3. Please do not over tighten screws or bolts.

| NO | PART LIST | QTY |
|----|--|-------|
| 1 |  Finial | 2 PCS |



ASSEMBLY INSTRUCTIONS CANYON RIDGE PANEL FOOTBOARD

Caution: Please read instructions thoroughly before unpacking assembly parts.

1. Be sure to check all packing materials carefully for small parts before discarding.
2. Insert finial into footboard and hand tighten
3. Please do not over tighten screws or bolts.

| NO | PART LIST | QTY |
|----|--|-------|
| 1 |  Finial | 2 PCS |

