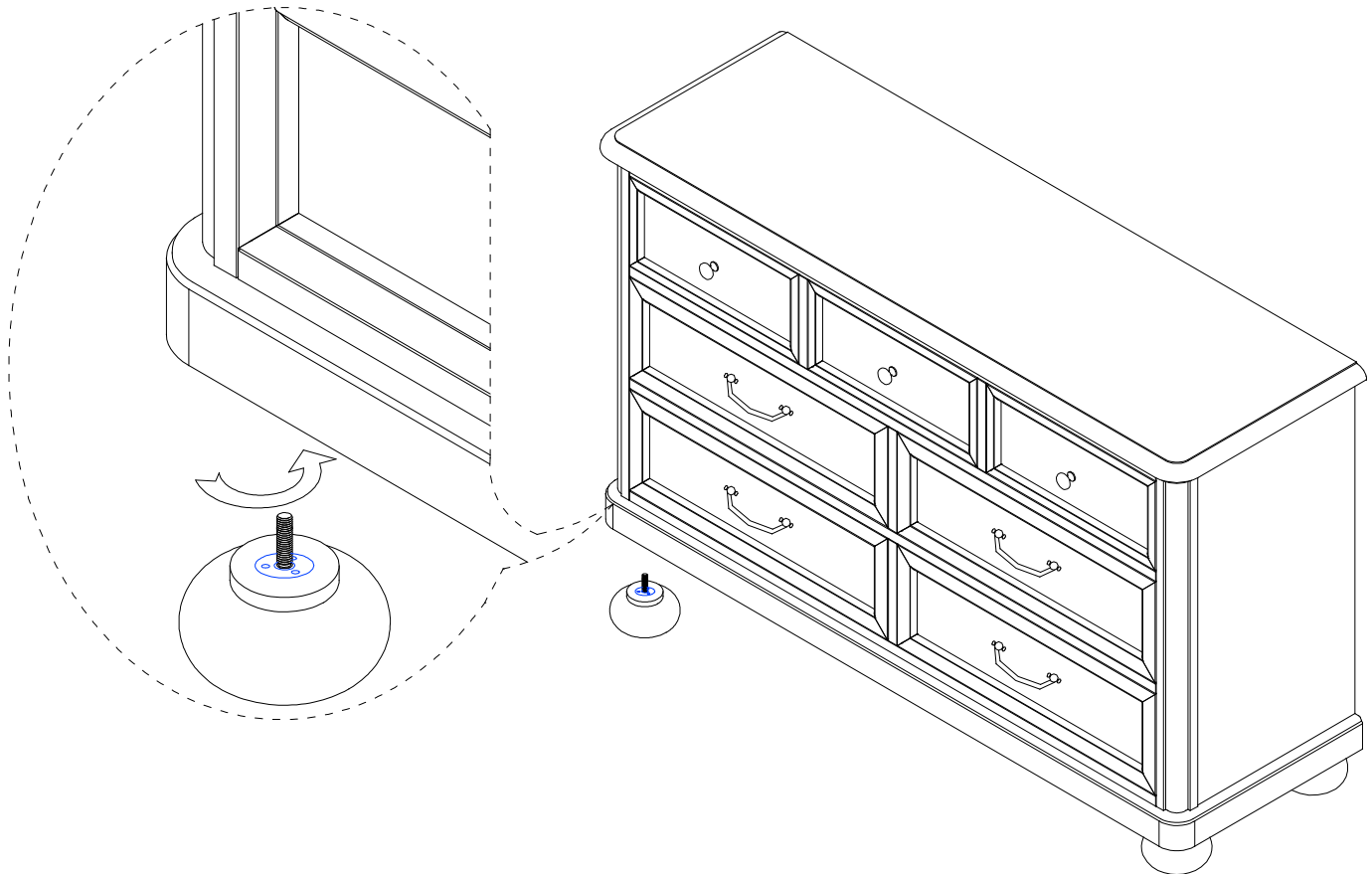


ASSEMBLY INSTRUCTIONS CANYON RIDGE YOUTH DRESSER

Caution: Please read instructions thoroughly before proceeding.

1. We recommend that a 2 person assembly to make assembly easier and help to eliminate damage to the product.
2. Be sure to check all packing materials carefully for small parts before discarding.
3. Protect your floor, and lay the dresser on its back
4. Insert bun feet and hand tighten.
5. Please do not over tighten screws or bolts.

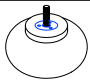
NO	PART LIST	QTY
1	 Bun Foot	4 PCS

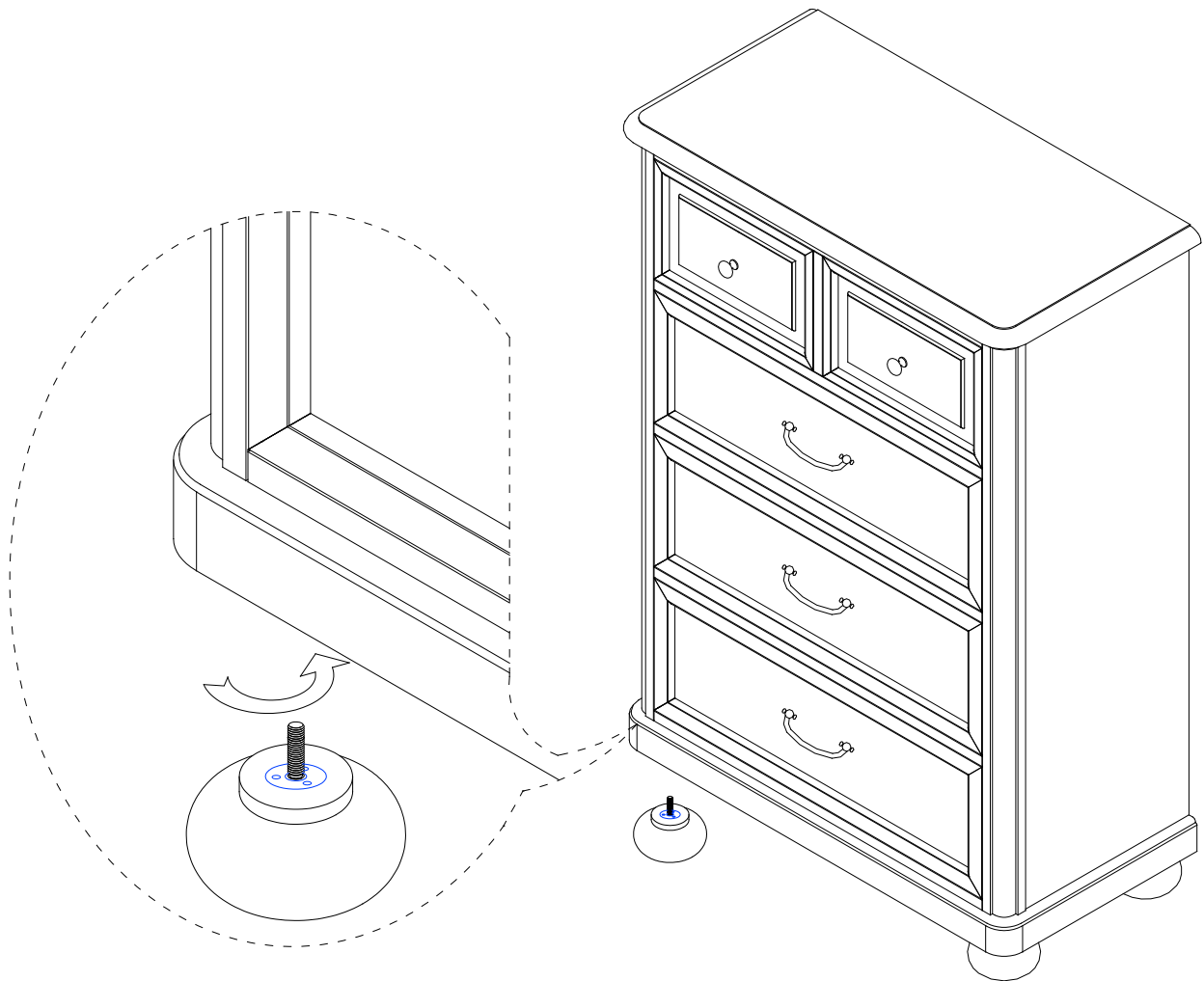


ASSEMBLY INSTRUCTIONS CANYON RIDGE YOUTH CHEST

Caution: Please read instructions thoroughly before unpacking assembly parts.

1. We recommend that you should assemble this product with 2 people. This will make assembly easier and will help to eliminate damage to the product during assembly.
2. Be sure to check all packing materials carefully for small parts before discarding.
3. Please put all parts on a non-abrasive floor before assembly and follow the assembly steps.
4. Protect your floor first, then lay chest on its back.
5. Insert bun feet and hand tighten.

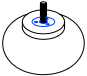
NO	PART LIST	QTY
1	 Bun Foot	4 PCS



ASSEMBLY INSTRUCTIONS CANYON RIDGE YOUTH NIGHTSTAND

Caution: Please read instructions before assembly.

1. Be sure to check all packing materials carefully for small parts before discarding.
2. Protect floor, and lay nightstand on its back.
3. Insert bun foot and hand tighten.
4. Please do not over tighten screws or bolts.

NO	PART LIST	QTY
1	 Bun Foot	4 PCS

